

GmbH

# PROFILELEMENT

## LED

ICO 2  
NIC 0  
AWA 1  
RDS 3



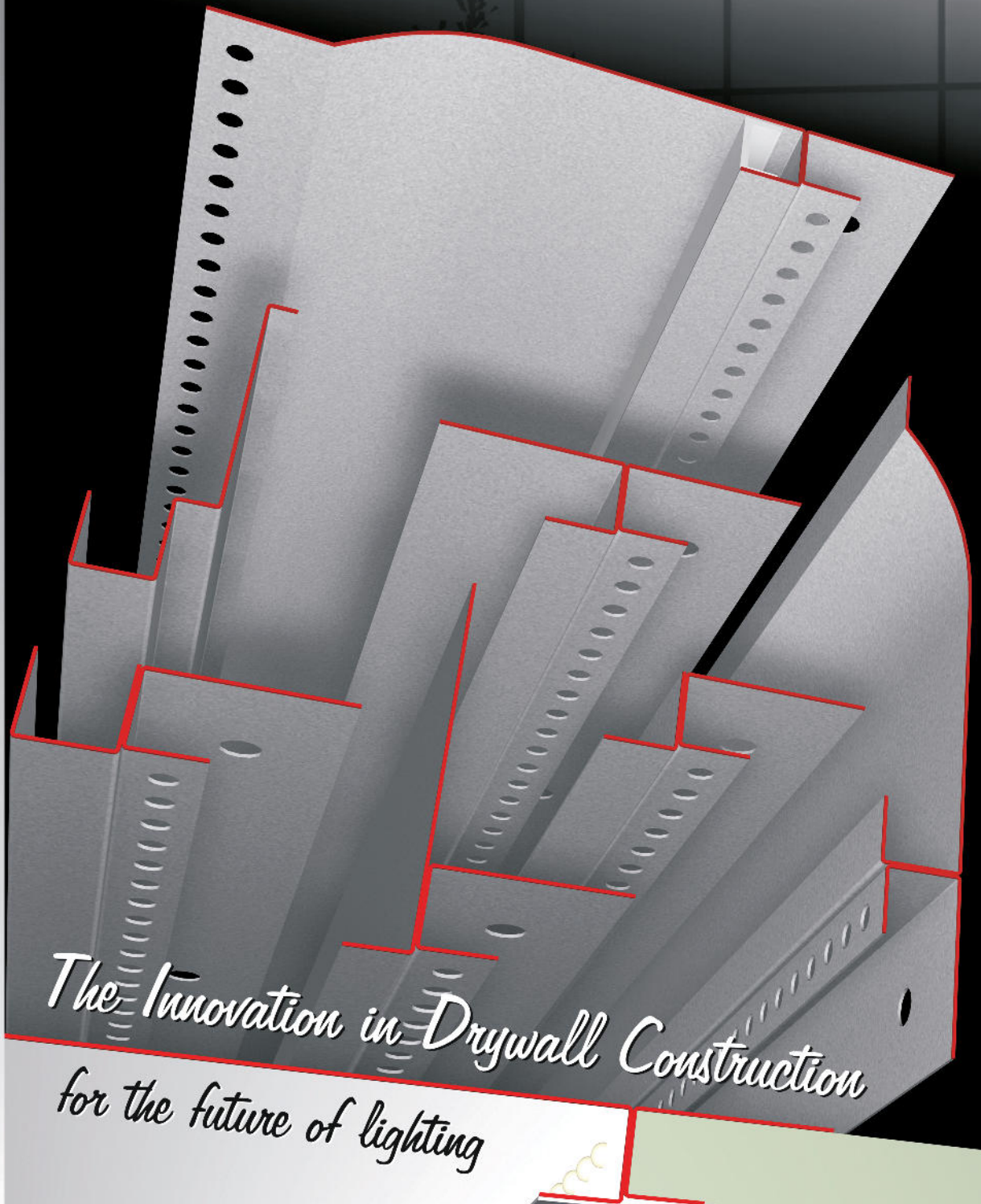
Innovationspreis  
Architektur + Technik 2012



Bayerischer Staatspreis  
2012



# Profiles and Accessories



*The Innovation in Drywall Construction  
for the future of lighting*



## Awards

LED Profilelement GmbH is an absolute specialist in the development and production of LED drywalling and plaster profiles and has won several prizes for innovation, technology and design.



- iENA 2011 International Trade Fair for Inventions - Gold medal for the invention of flush-mount profiles, innovation in interior building
- iENA 2011 Chamber of Crafts Middle Franconia – special prize awarded by the Chamber of Crafts for the invention of flush-mount profiles, innovation in drywalling, drywall coving



- Grand prize of the Free State of Bavaria 2012 – Outstanding technological achievements in the trade



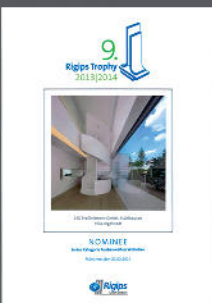
- AIT Innovation Award 2012 – Product of high architectonic quality



- Querdenker Award 2012 (Lateral Thinker Award) – Winner in the Category: start-up



- Iconic Award 2013 – Product winner



- Rigips Trophy 2013/2014 - Nominee



- Architects Choice Award 2015 – Winner of the Best Interior Building product presented at “Wink Lighting” in Ireland

## Profiles and Accessories

LED-Profilelement stands for elegant and energy-saving wall, ceiling, floor and furniture illumination.

- LED profiles for the installation of LED sticks or LED strips
- Fast and easy application in drywall, wet plaster and furniture projects
- The most innovative solution for indirect lighting

Terms of delivery for Germany:

Parcel delivery charges 201 x 17 x 25 cm / up to 30 kg within Germany: € 8.00  
Overseas, bulk freight and haulage costs on request

Terms of payment:

Delivery against advanced payment with 2% cash discount  
Goods shipped immediately on receipt of payment

Our General Terms and Conditions apply to all deliveries and services  
(see [www.ledprofilelement.de](http://www.ledprofilelement.de))

Installation videos and instructions are available on [www.ledprofilelemente.de](http://www.ledprofilelemente.de)

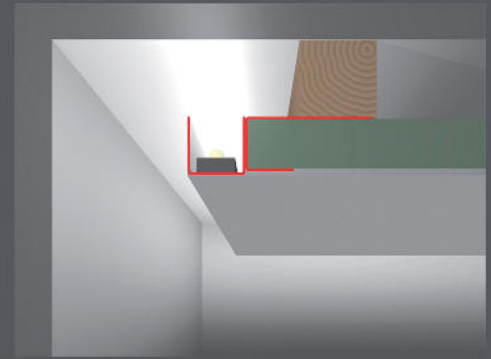
Scope:

Orders and deliveries within Germany and overseas

## DSL

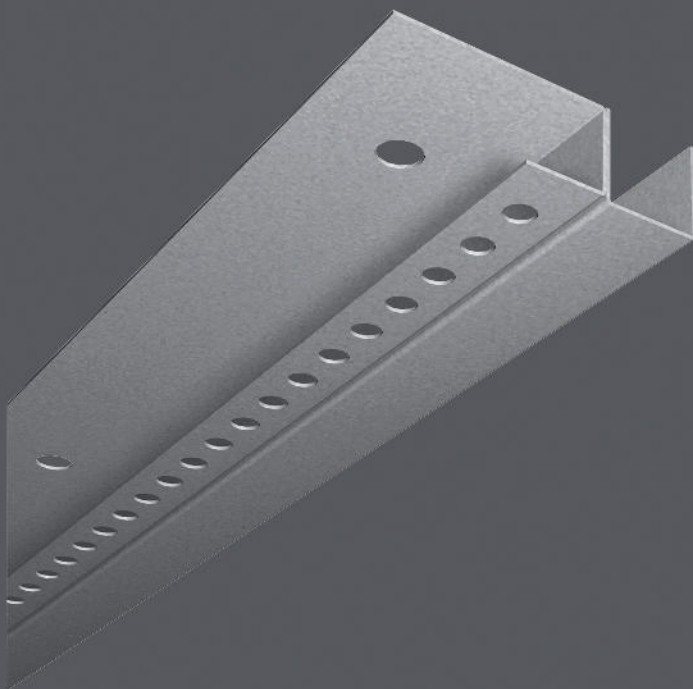
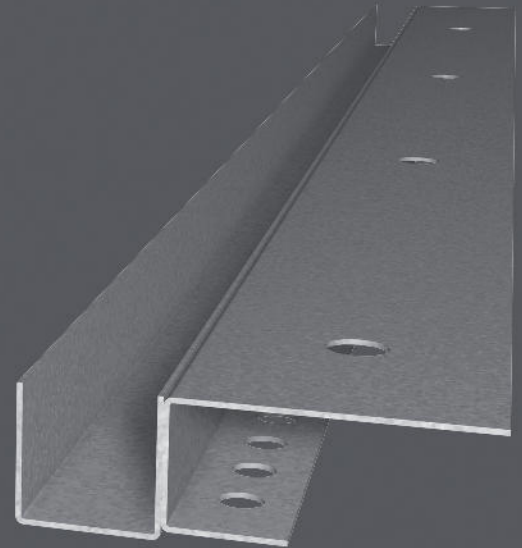
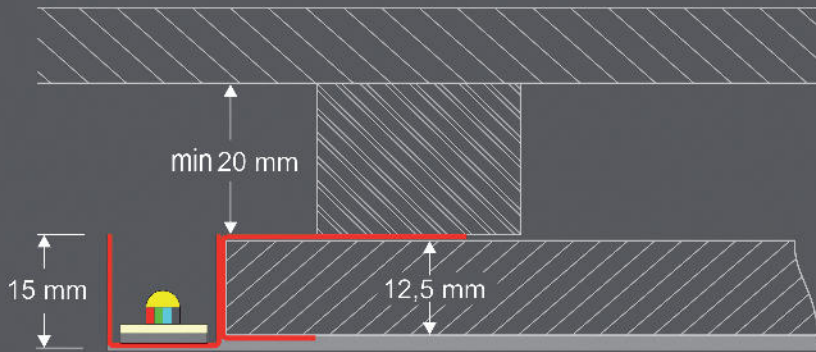
LED Drywall Profile for suspended (floating) ceiling with substructure

Slim, delicate appearance, only 15mm upstand



### Highlights:

- Suspension height from 20mm
- Substructure of C-channels or wood
- Quick and easy finish
- Easy removal of strips due to magnetic tape
- Various lighting possibilities by inserting the strips in different ways

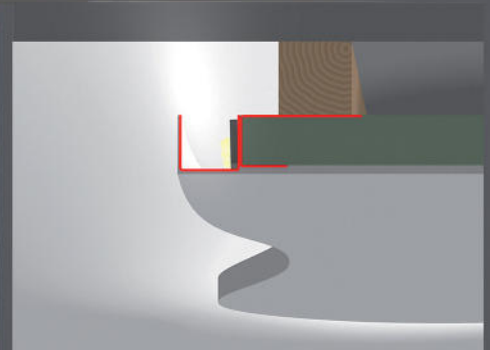


Art. No.	Description
	Zinc sheet profile STA 1203 NA/t=0.63
PE10.0001	DSL /12.5/2.0m/approx. 935g/ incl. primer

## DSL Flex

LED drywall profile for suspended (floating) curved surfaces

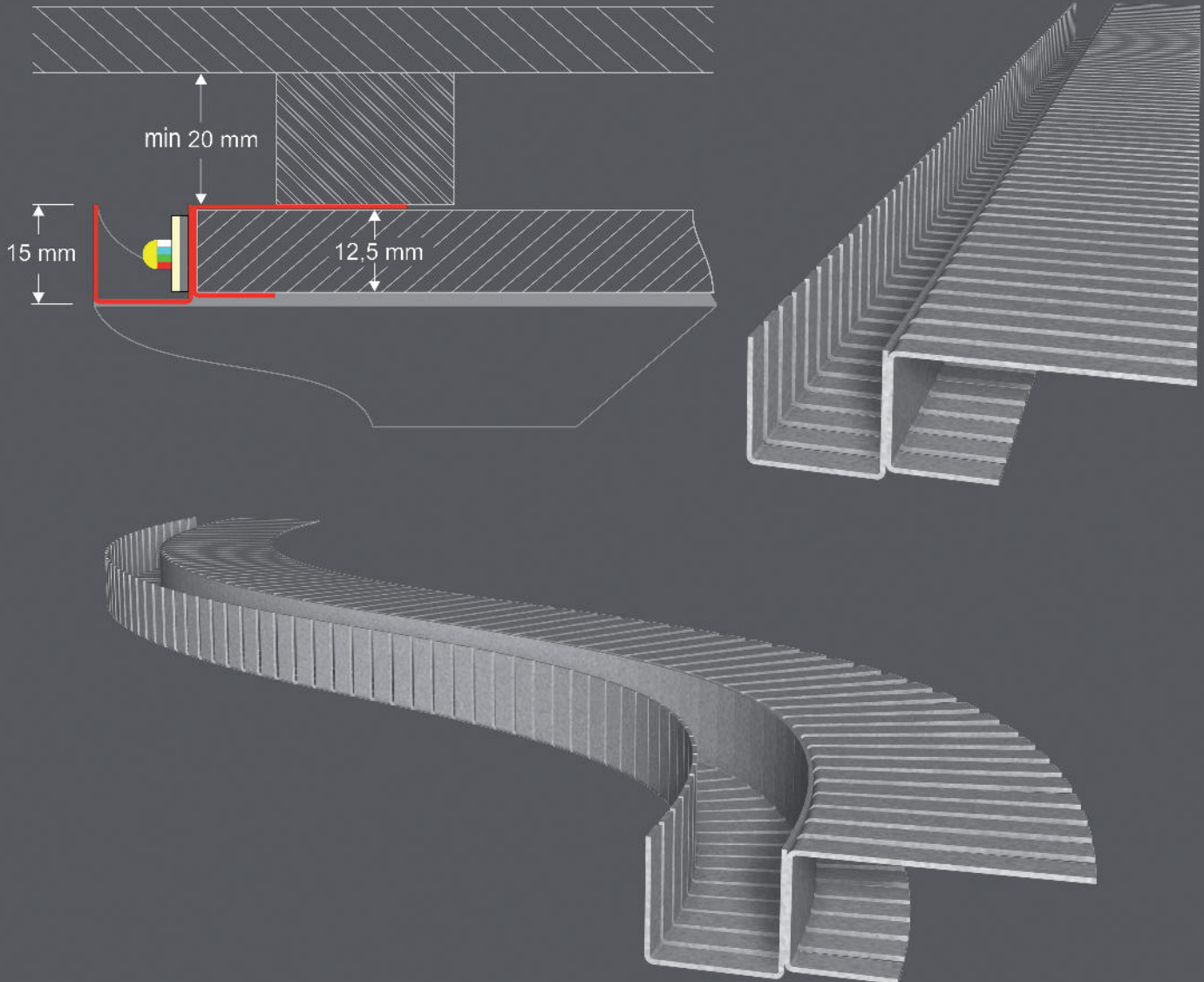
Universal flexible finishing profile / individual shapes



### Highlights:

- Suspension height from 20mm
- Substructure of C-channels or wood
- Individual shaping to meet your own wishes and needs
- Easy removal of strips due to magnetic tape
- Various lighting possibilities by inserting the strips in different ways

# DSL Flex



Art.No.	Description
	Zinc sheet profile STA 1203 NA/ t= 0,63
PE10.0002	DSL Flex / 1.5 / 2.0 m / approx. 835 g / incl. primer

## SNL

LED drywall profile with visible wing for direct connection to building elements

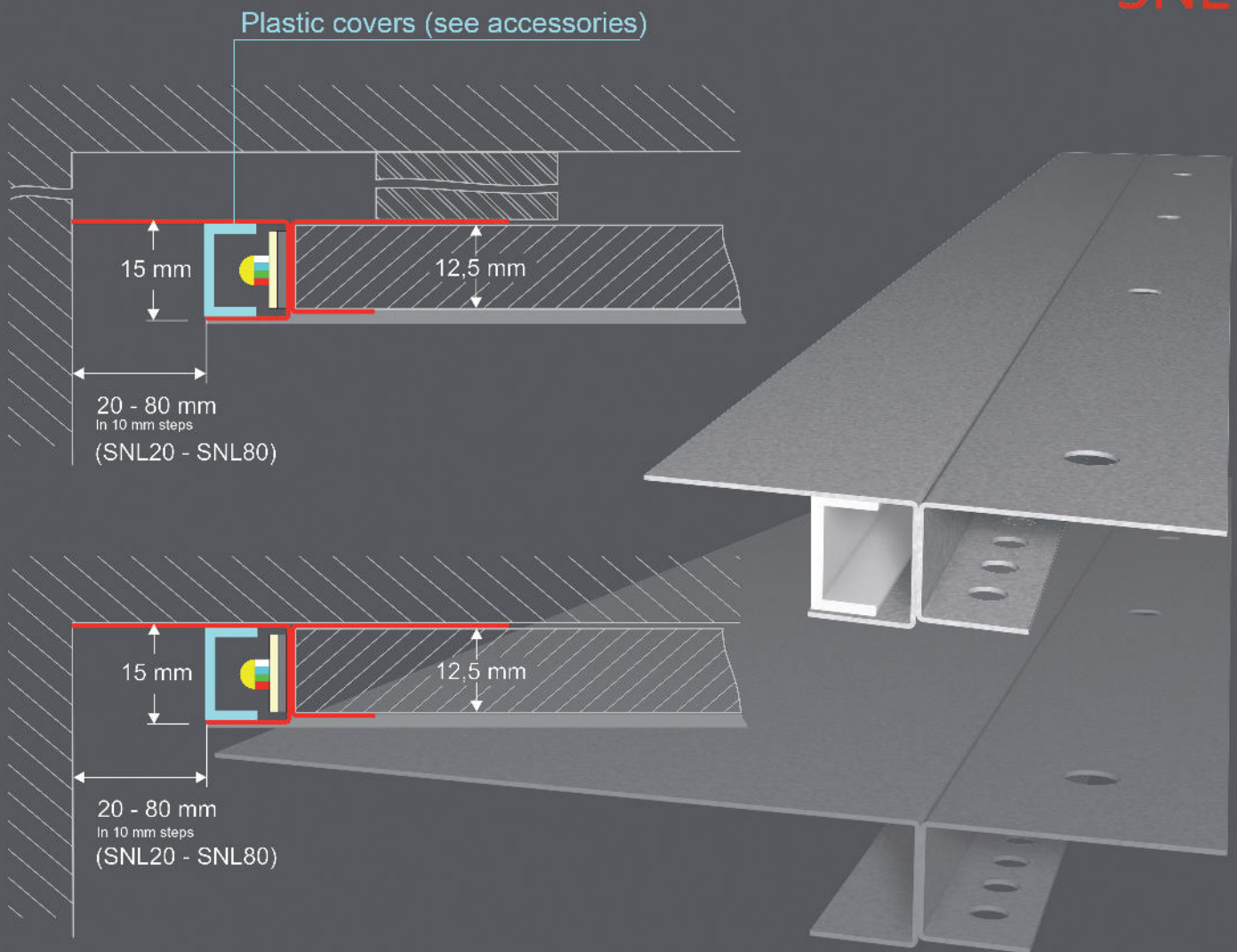
Universal connection profile for walls, ceilings and floors



### Highlights:

- Connecting/visible wing with visible width of 20 to 80 mm
- Minimum wall/ceiling build up for indirect illumination
- Substructure of C-channels or wood, easy installation even without substructure
- Further design options by positioning 2 profiles opposite one another
- Concealed installation of LEDs is possible by inserting diffuser/cover profiles (see accessories)
- Easy removal of strips due to magnetic tape
- Various lighting possibilities by inserting the strips in different ways



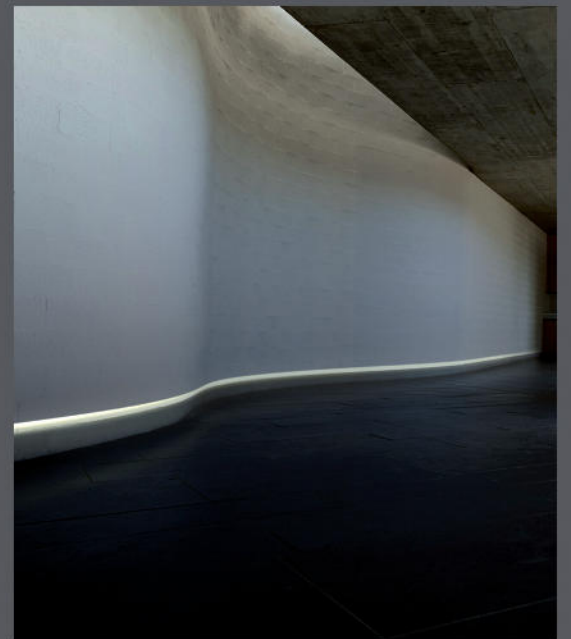
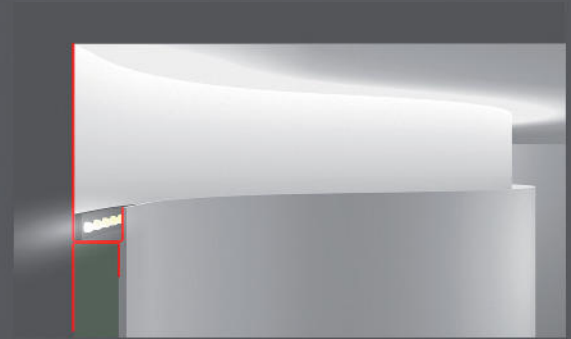


Art. No.	Description
	Zinkblechprofil STA 1203 NA/ t= 0,63
PE10.0120	SNL 20 / 12.5 / 2.0 / approx. 1100 g / incl. primer
PE10.0130	SNL 30 / 12.5 / 2.0 / approx. 1200 g / incl. primer
PE10.0140	SNL 40 / 12.5 / 2.0 / approx. 1300 g / incl. primer
PE10.0150	SNL 50 / 12.5 / 2.0 / approx. 1380 g / incl. primer and fleece lining
PE10.0160	SNL 60 / 12.5 / 2.0 / approx. 1480 g / incl. primer and fleece lining
PE10.0170	SNL 70 / 12.5 / 2.0 / approx. 1580 g / incl. primer and fleece lining
PE10.0180	SNL 80 / 12.5 / 2.0 / approx. 1665 g / incl. primer and fleece lining

## Circum 21 / SNL Flex

LED drywall profile for curves, with visible wing for direct connection to building elements

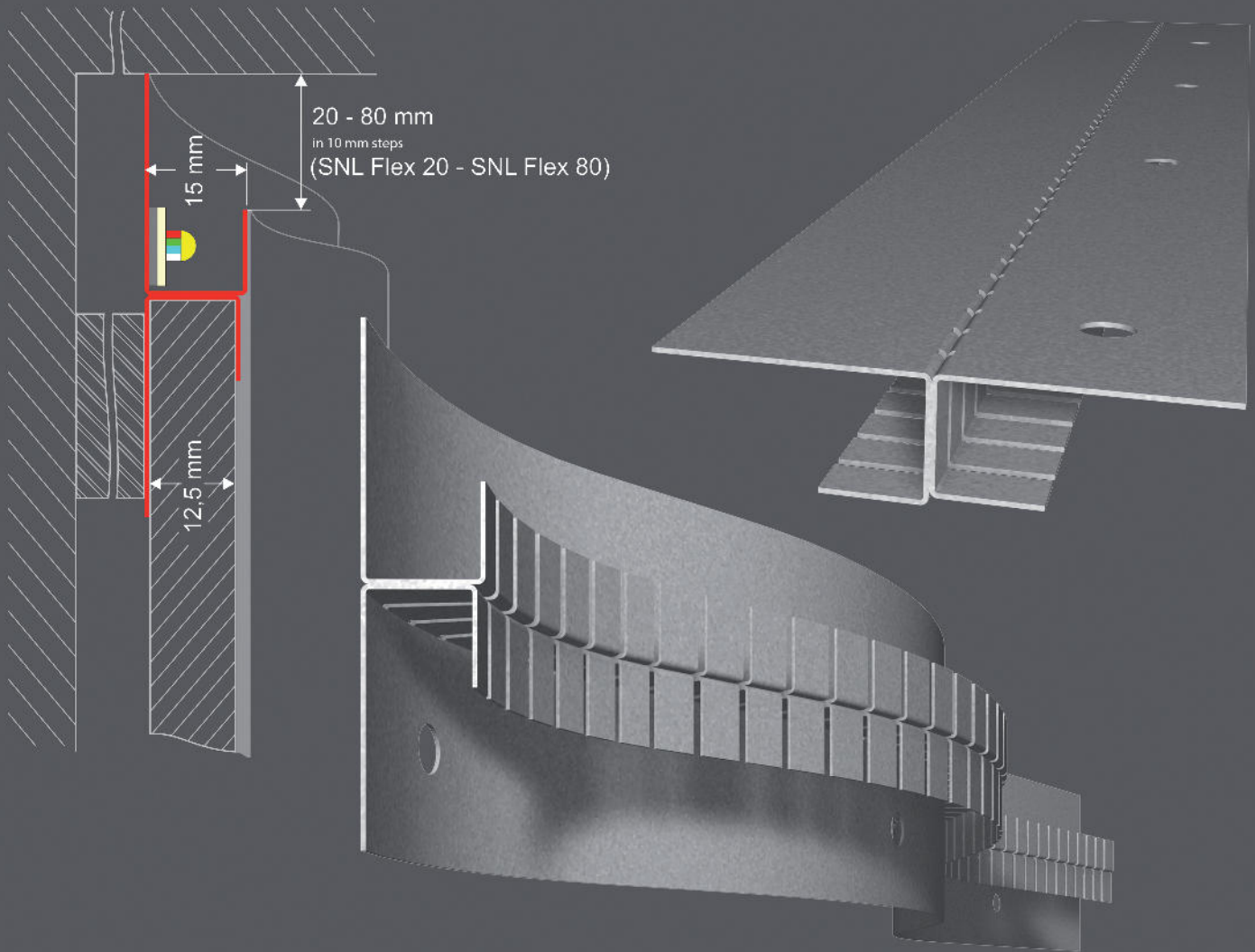
Universal connection profile for walls, ceilings and floors



### Highlights:

- Connecting/visible wing with visible width of 20 to 80 mm
- Minimum wall/ceiling build up for indirect illumination
- Substructure of C-channels or wood, easy installation even without substructure
- Further design options by positioning 2 profiles opposite one another
- Easy removal of strips due to magnetic tape
- Various lighting possibilities by inserting the strips in different ways

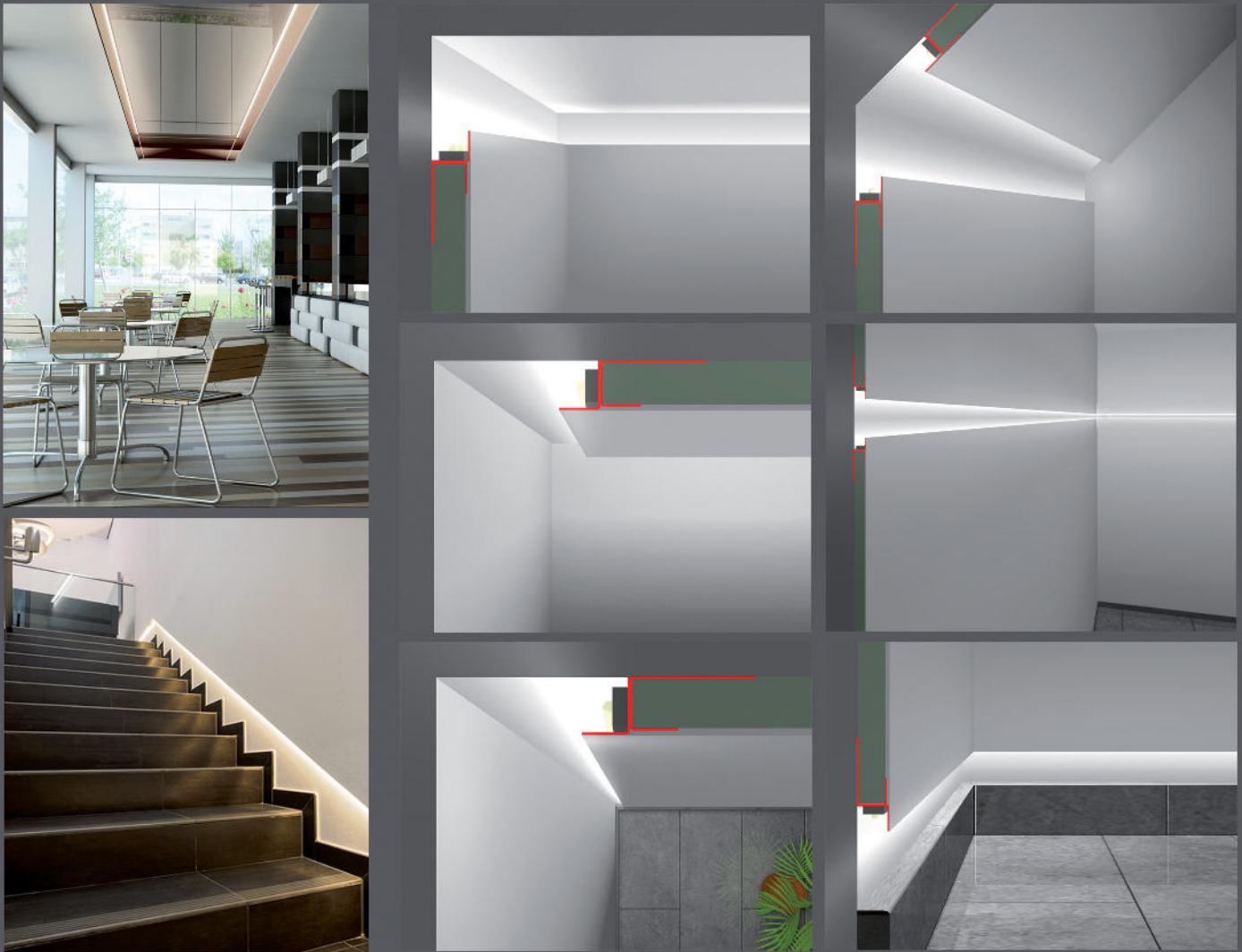
## Circum 21 / SNL Flex



Art. No.	Description
	Zinc sheet profiles STA 1203 NA/t = 0.63
PE12.1020	Circum 21 SNL Flex 20 / 12.5 / 2.0 / approx. 1000 g / incl. primer
PE12.1030	Circum 21 SNL Flex 30 / 12.5 / 2.0 / approx. 1100 g / incl. primer
PE12.1040	Circum 21 SNL Flex 40 / 12.5 / 2.0 / approx. 1200 g / incl. primer
PE12.1050	Circum 21 SNL Flex 50 / 12.5 / 2.0 / approx. 1280 g / incl. primer and fleece lining
PE12.1060	Circum 21 SNL Flex 60 / 12.5 / 2.0 / approx. 1380 g / incl. primer and fleece lining
PE12.1070	Circum 21 SNL Flex 70 / 12.5 / 2.0 / approx. 1480 g / incl. primer and fleece lining
PE12.1080	Circum 21 SNL Flex 80 / 12.5 / 2.0 / approx. 1565 g / incl. primer and fleece lining

## ADP

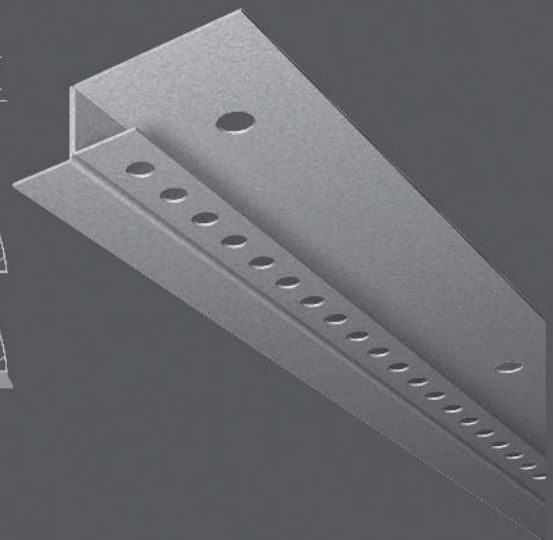
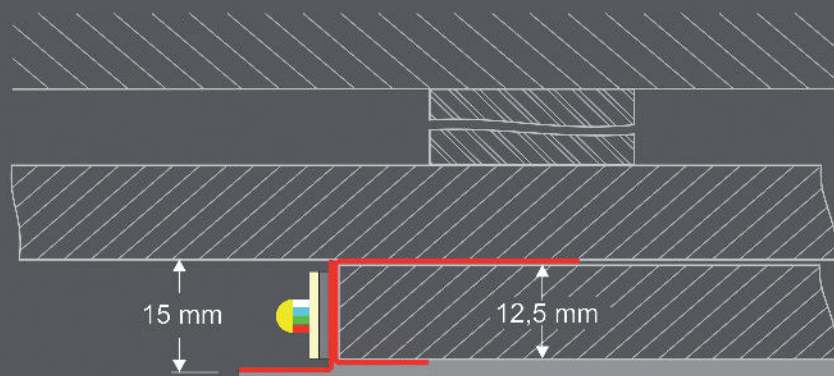
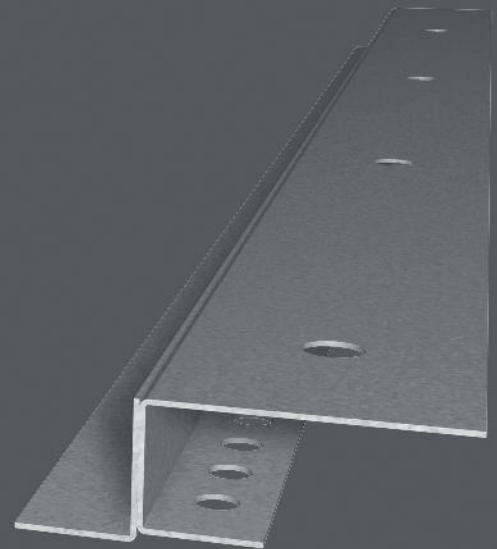
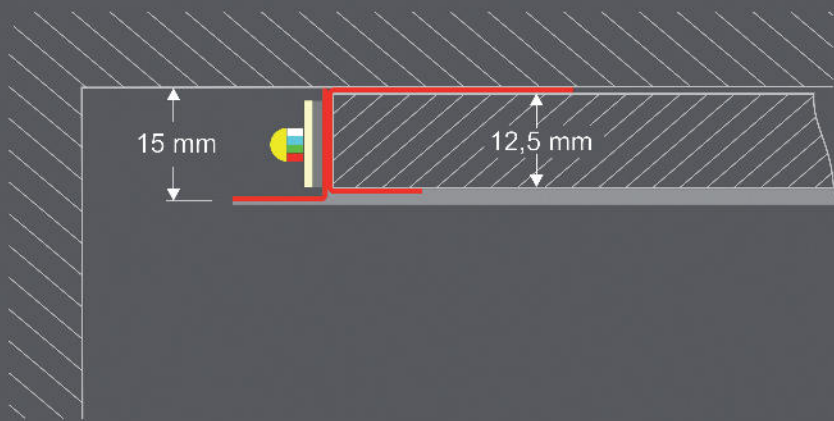
LED drywall profile without visible wing for free design of surfaces and light strips



### Highlights:

- Minimal wall/ceiling build up for indirect lighting
- Easy fitting in 2nd layer or without substructure
- Further design options by positioning 2 profiles opposite one another
- Open installation of LEDs
- Easy removal of strips due to magnetic tape
- Various lighting possibilities by inserting the strips in different ways

ADP



Art. No.	Description
	Zinc sheet profile STA 1203 NA/t = 0.63
PE10.0200	ADP / 12.5 / 2.0 / approx. 840 g / incl. primer

## ADP Flex

Flexible LED Drywall profile without visible wing for free design of surfaces and light strips

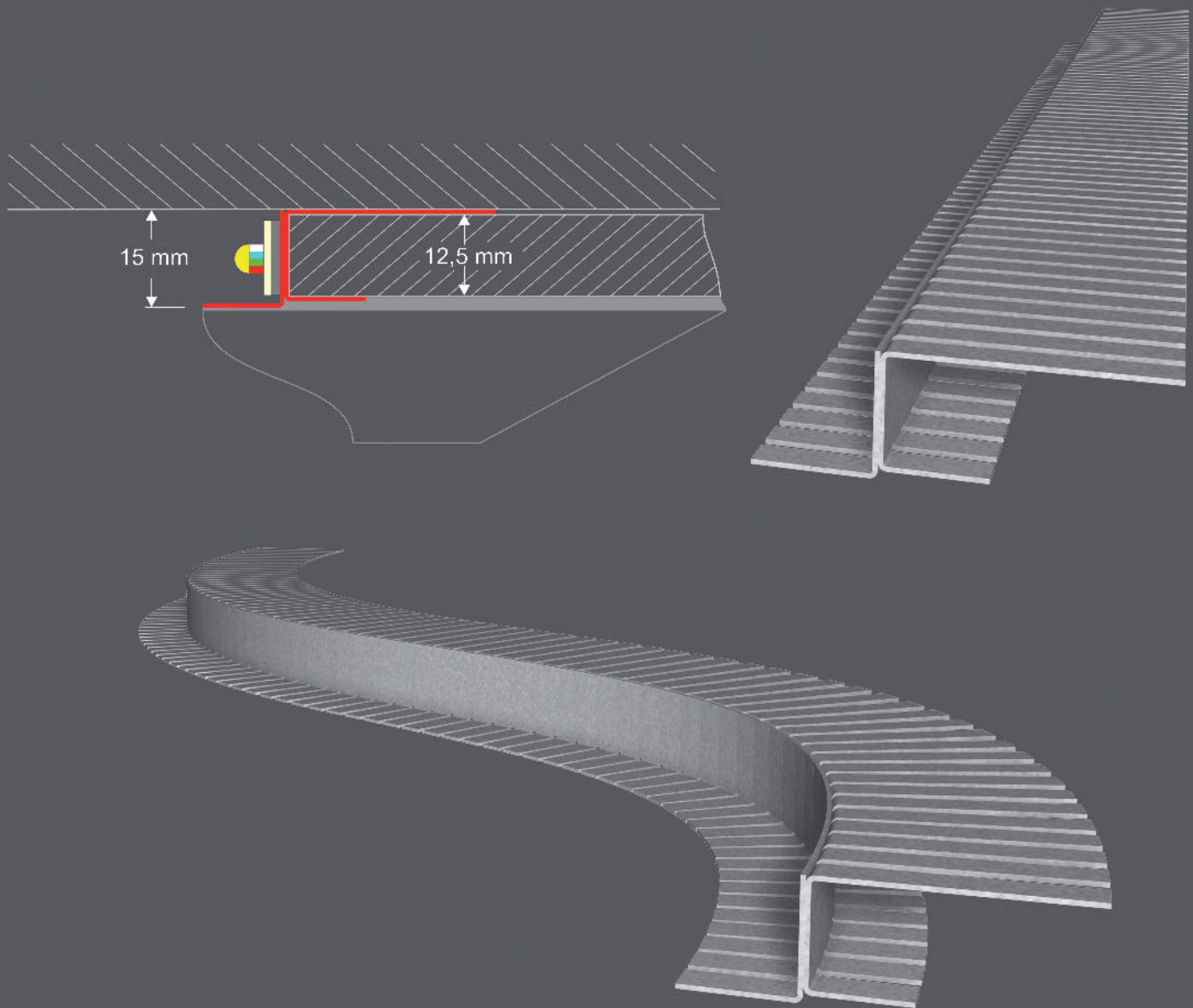
Universal flexible finishing profile / individual shapes



### Highlights:

- Minimal wall / ceiling build-up for indirect illumination
- Easy to fit in 2nd layer or without substructure
- Further design options by positioning 2 profiles opposite one another
- Individual shaping to meet your own wishes and needs
- Easy removal of strips due to magnetic tape

# ADP Flex



Art. No	Description
	Zinc sheet profiles STA 1203 NA/t = 0.63
PE10.0201	ADP Flex / 12.5 / 2.0 / approx. 740 g / incl. primer

# ADP 35

LED Drywall profile with 35mm wing

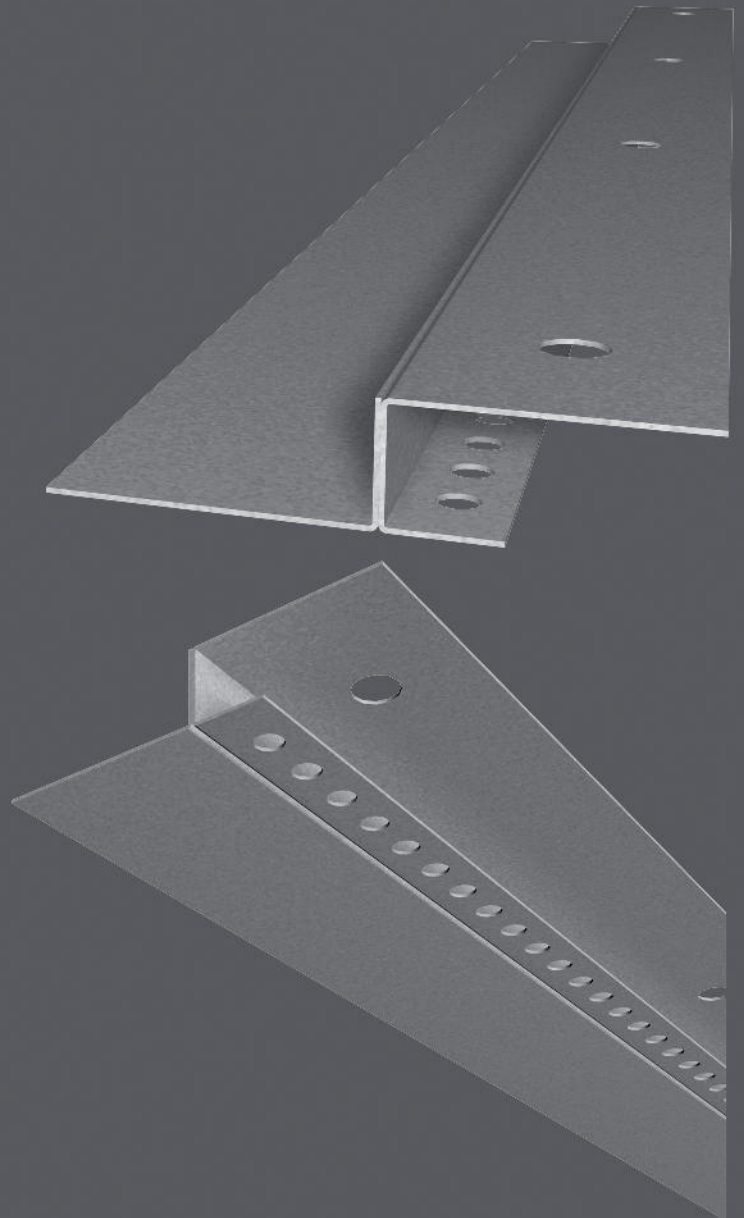
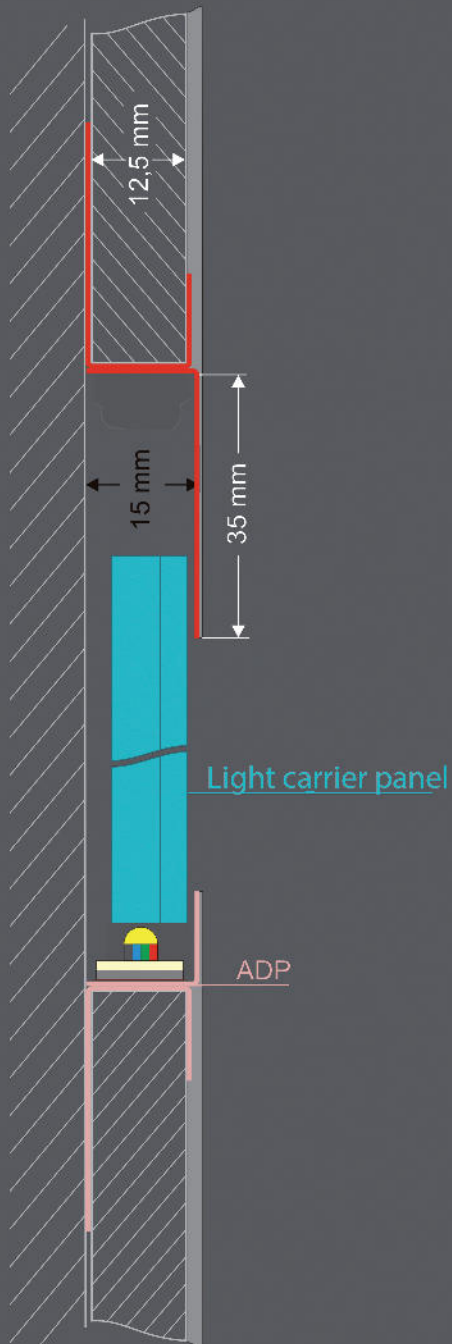


## Highlights:

- Backlit, printed glass pictures
- Flush integration in the building element
- Irrespective of size
- Signs, logos, advertising, office labelling
- Project presentations / history
- Simple replacement of motifs



# ADP 35



Art. No.	Description
	Zinc sheet profiles STA 1203 NA/t = 0.63
PE10.0203	ADP 35/ 12.5 / 2.0 / approx. 890 g / incl. primer

# ADP KU 09

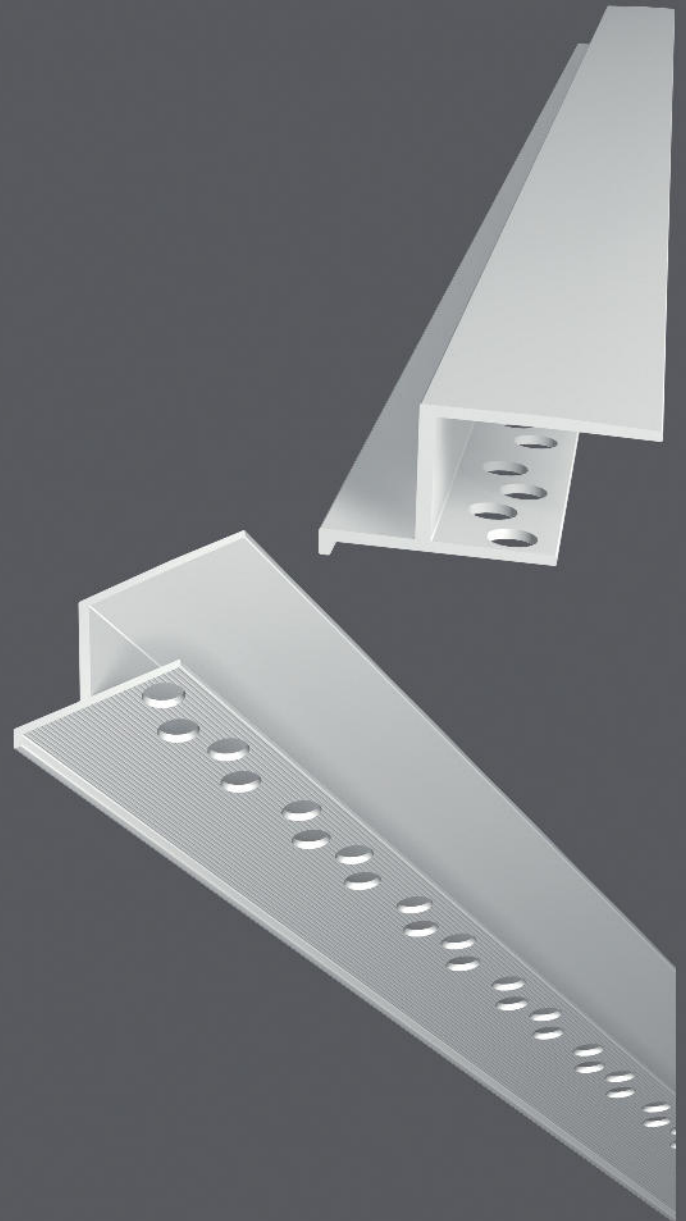
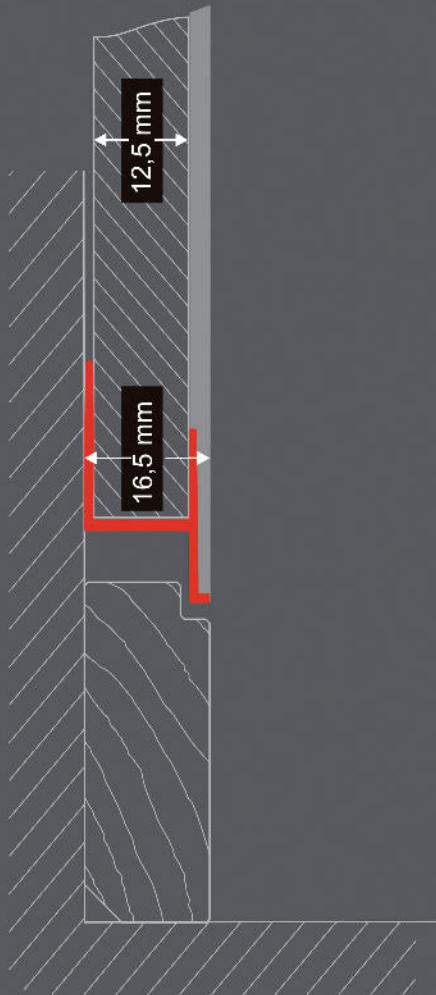
Plastic LED drywall profile



## Highlights:

- Finishing profile
- Minimal voids in grid, coffered and acoustic ceilings
- Flush skirting with or without luminous pictures
- Connections to acoustic ceilings and mineral fibre ceilings
- Quick and easy installation
- Suitable for LEDs up to 9.8 Watt/m

# ADP KU 09

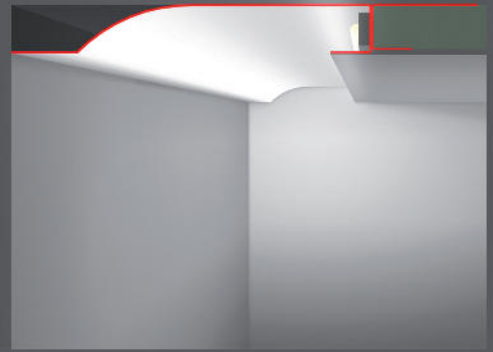
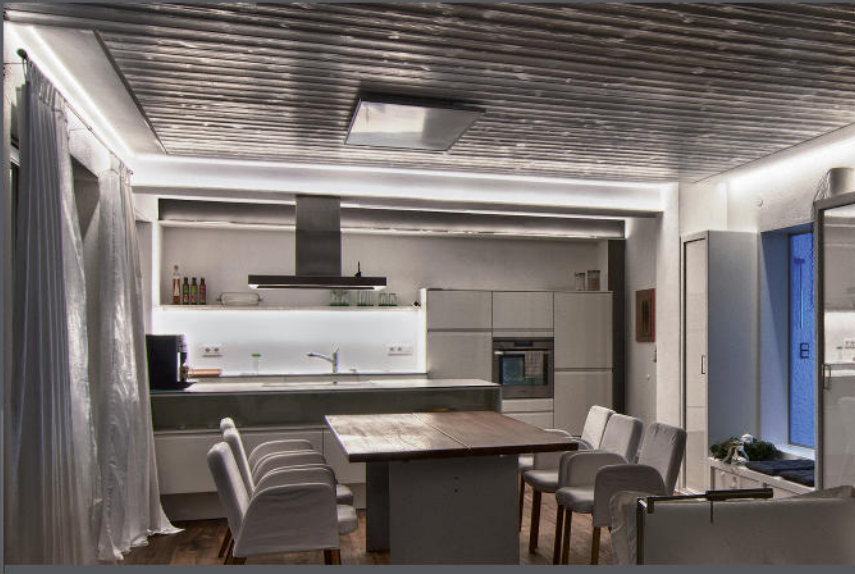


Art. No.	Description
	Plastic profile
PE13.0200	ADP KU 09 / 12.5 / 2.0 / approx. 200g

## R10-R

LED Drywall profile with visible reflector wing for direct connection to building elements

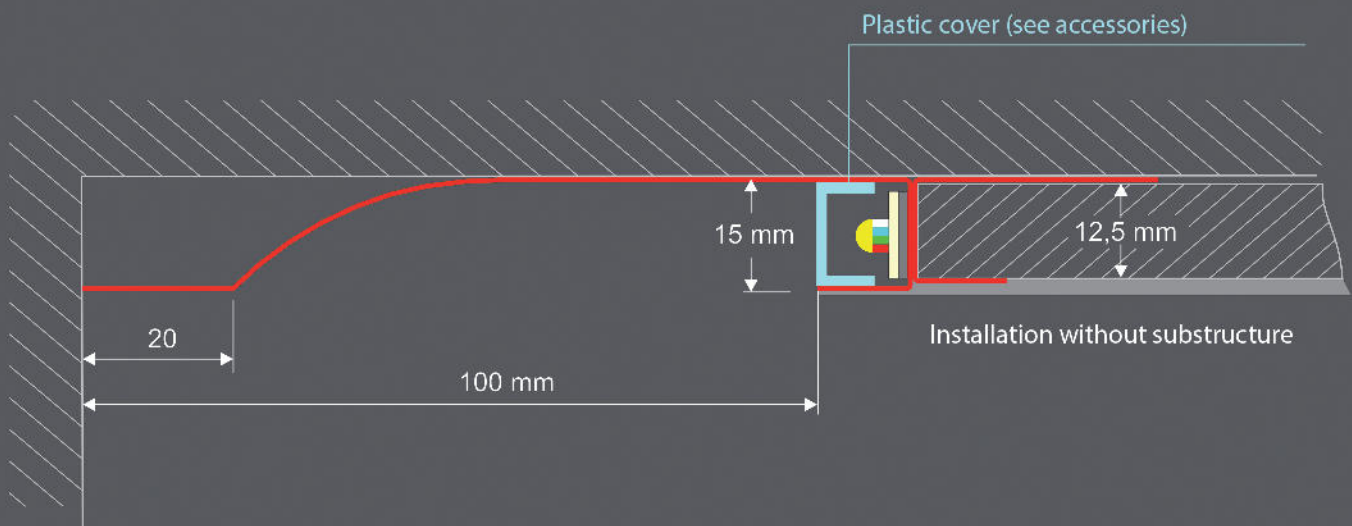
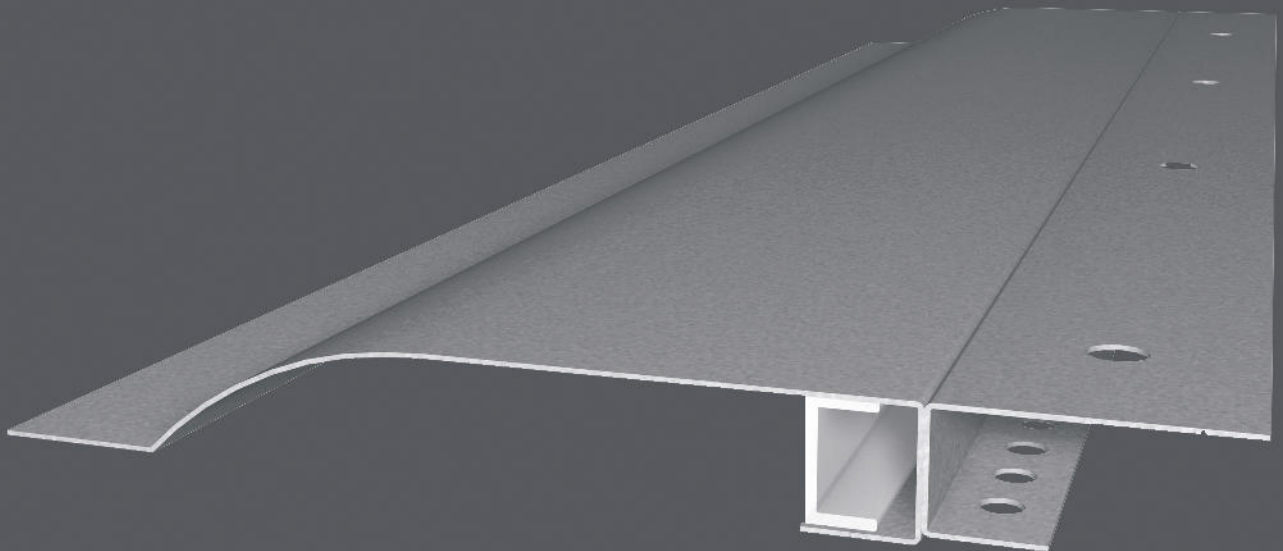
Connection profile for walls, ceilings and floors



### Highlights:

- Easy to fit with or without substructure
- Substructure of C-channels or wood
- Concealed installation of LEDs is possible by inserting diffuser/cover profiles (see accessories)
- The curve in the profile gives the indirect lighting a calm and flowing touch
- Easy removal of strips due to magnetic tape
- Various lighting possibilities by inserting the strips in different ways

# R10-R

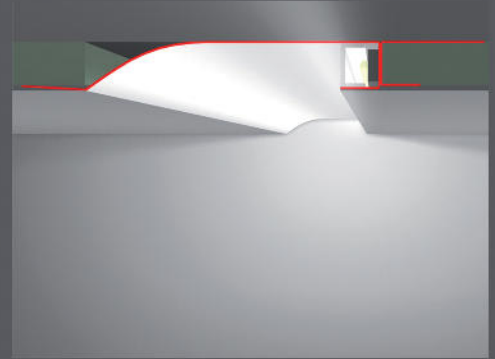


Art. No.	Description
	Zinc sheet profiles STA 1203 NA/t = 0.63
PE10.0400	R10-R/ 12.5 / 2.0 / approx. 1800 g / incl. primer and fleece lining

## R10-F

LED Drywall profile with visible reflector wing for fitting in the surface

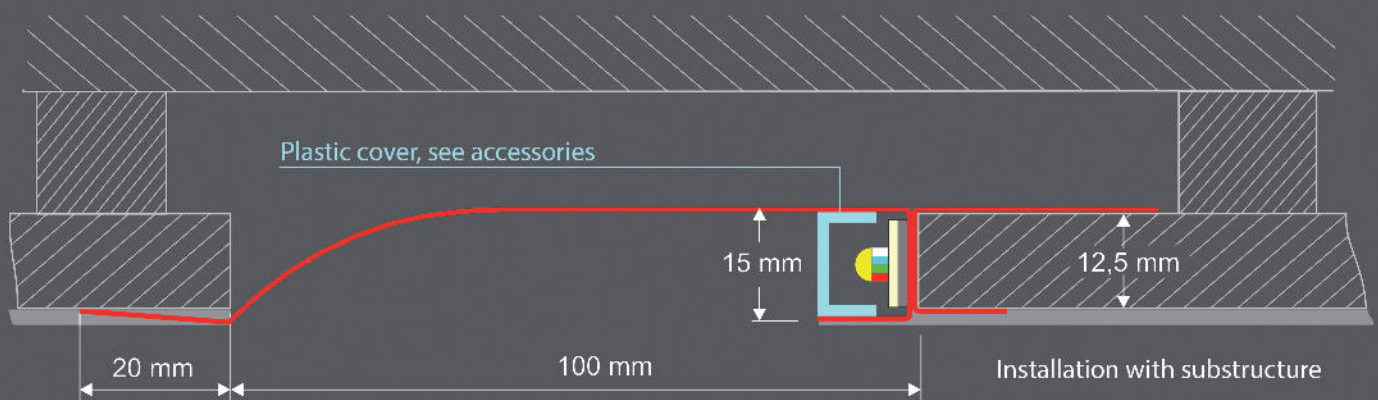
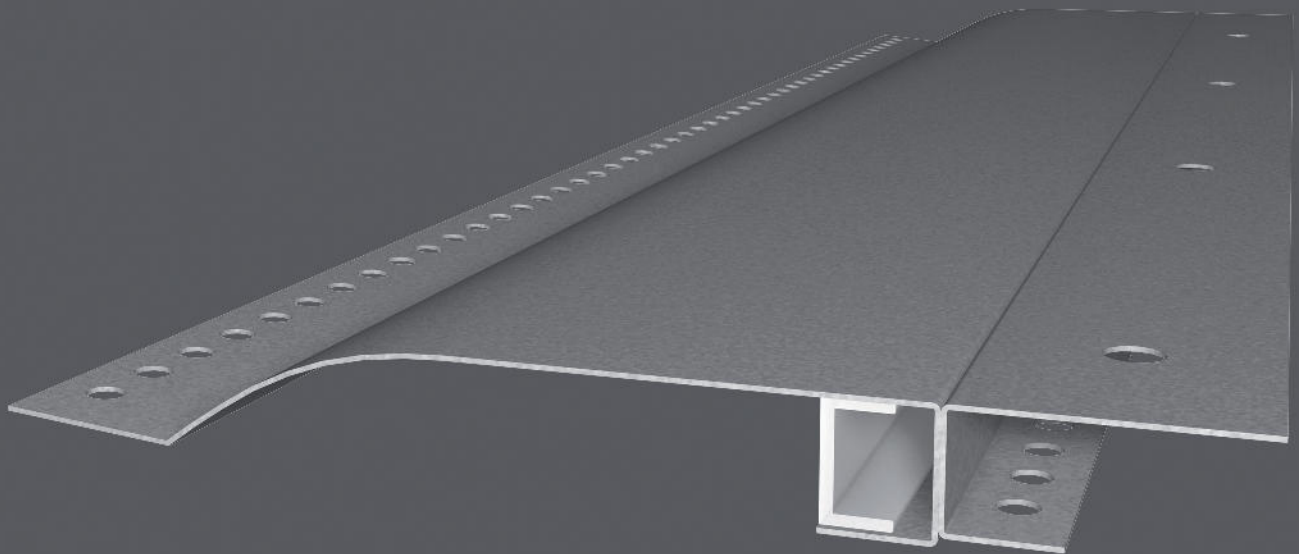
The profile for light strips in the surface



### Highlights:

- Easy mounting with no visible edges
- Substructure of C-channels or wood or, be it the case, in wall
- Concealed installation of LEDs is possible by inserting diffuser/cover profiles (see accessories)
- The curve in the profile gives the indirect lighting a calm and flowing touch
- Easy removal of strips due to magnetic tape
- Various lighting possibilities by inserting the strips in different ways

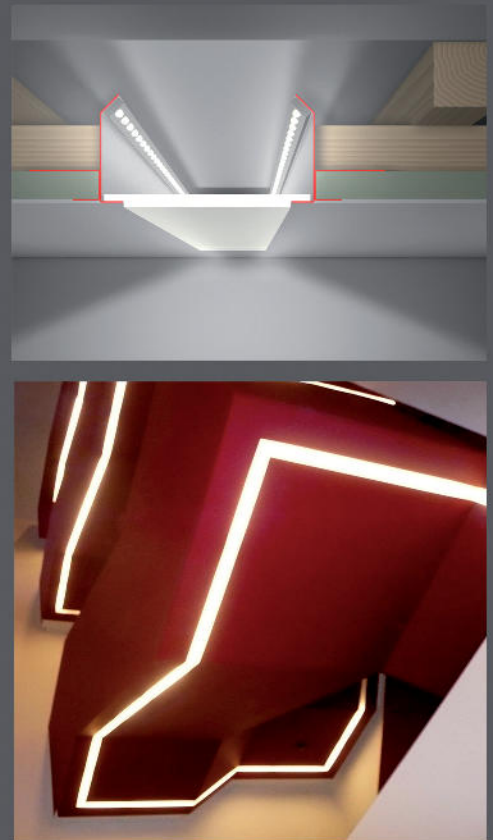
# R10-F



Art. No.	Description
	Zinc sheet profiles STA 1203 NA/t = 0.63
PE10.0450	R10-F/ 12.5 / 2.0 / approx. 1200 g / incl. primer and fleece lining

## ADD

Flush mounted drywall profile for conventional luminaires

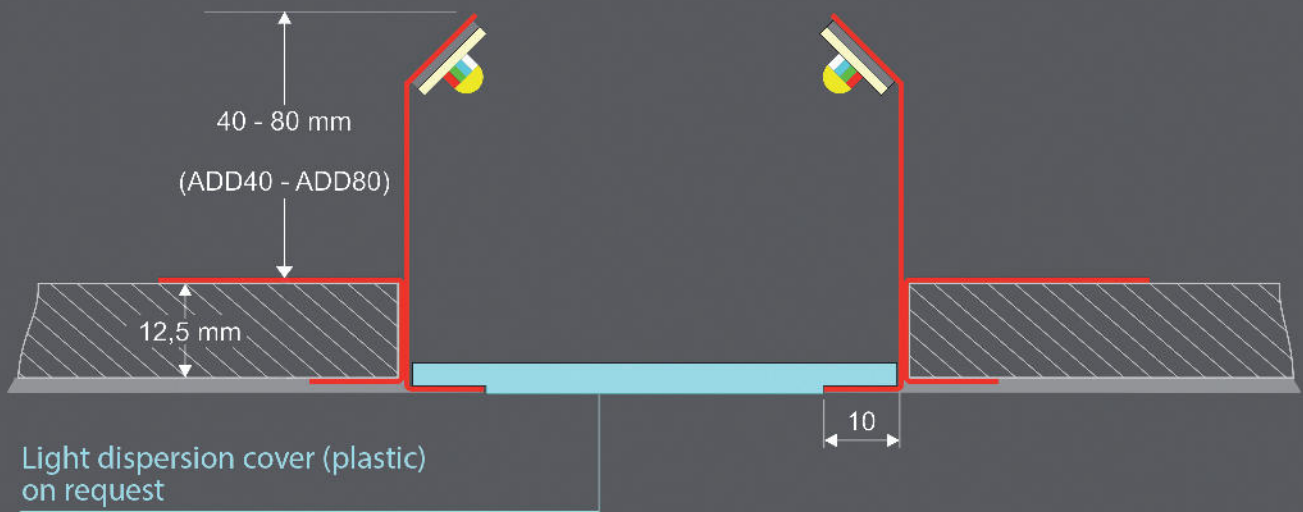
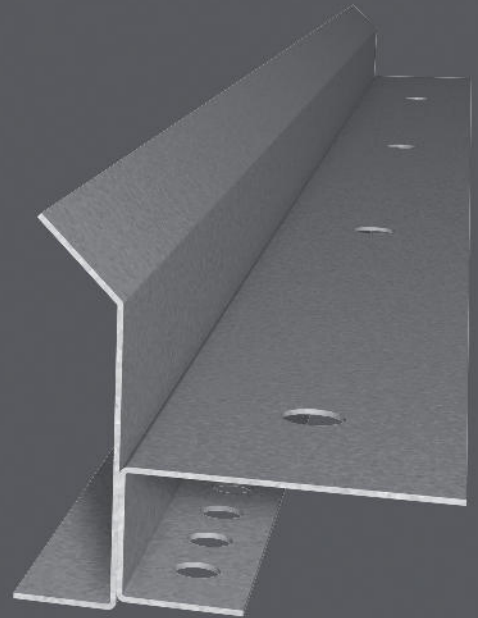


### Highlights:

- Profile for light strips/light zones for conventional luminaires or LED
- Easy mounting with no visible edges
- Substructure of C-channels or wood
- Installation depth of 40/80 mm
- Freely adjustable distance between profiles depending on width of diffuser/cover
- Different transmittance and flow of illumination depending on diffuser/cover material



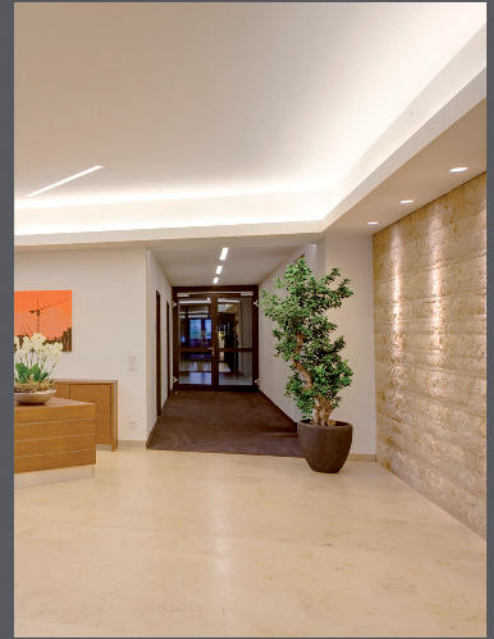
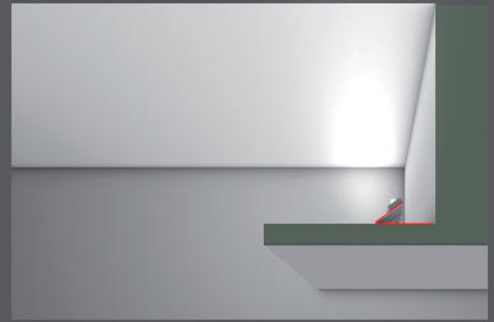
ADD



Art. No.	Description
	Zinc sheet profiles STA 1203 NA/t = 0.63
PE10.0240	ADD 40/ 12.5 / 2.0 / approx. 1650 g / incl. primer
PE10.0280	ADD 80/ 12.5 / 2.0 / approx. 2050 g / incl. primer

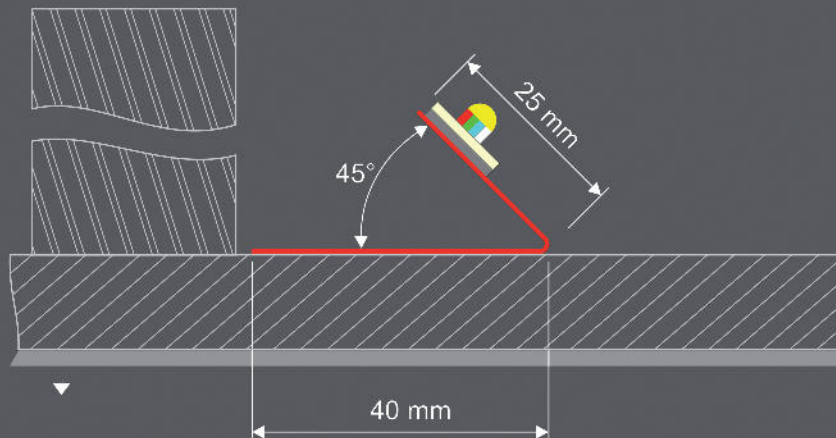
## AWP

Drywall profile for the installation of LED strips in existing lighting coves or upstands



### Highlights:

- Easy and quick upgrading of plaster mouldings
- Magnetic tape enables easy moving of the LED strips to ensure optimum illumination
- Space for laying cables behind the AWP profile
- Also for use as a flexible profile for curves
- Various lighting possibilities by inserting the angle in different ways

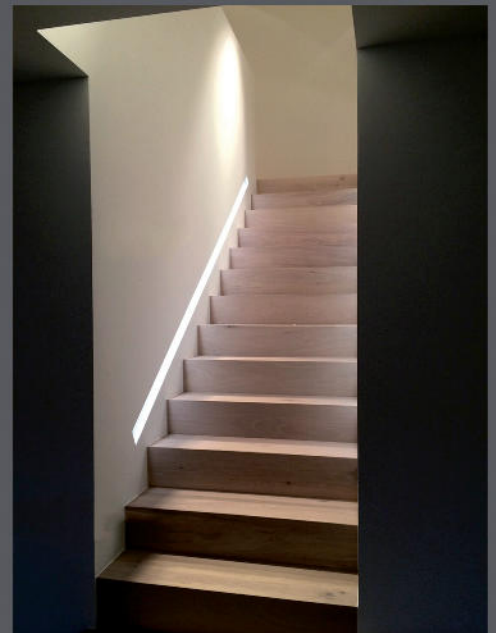
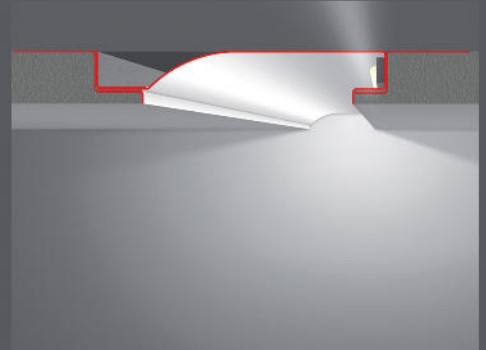
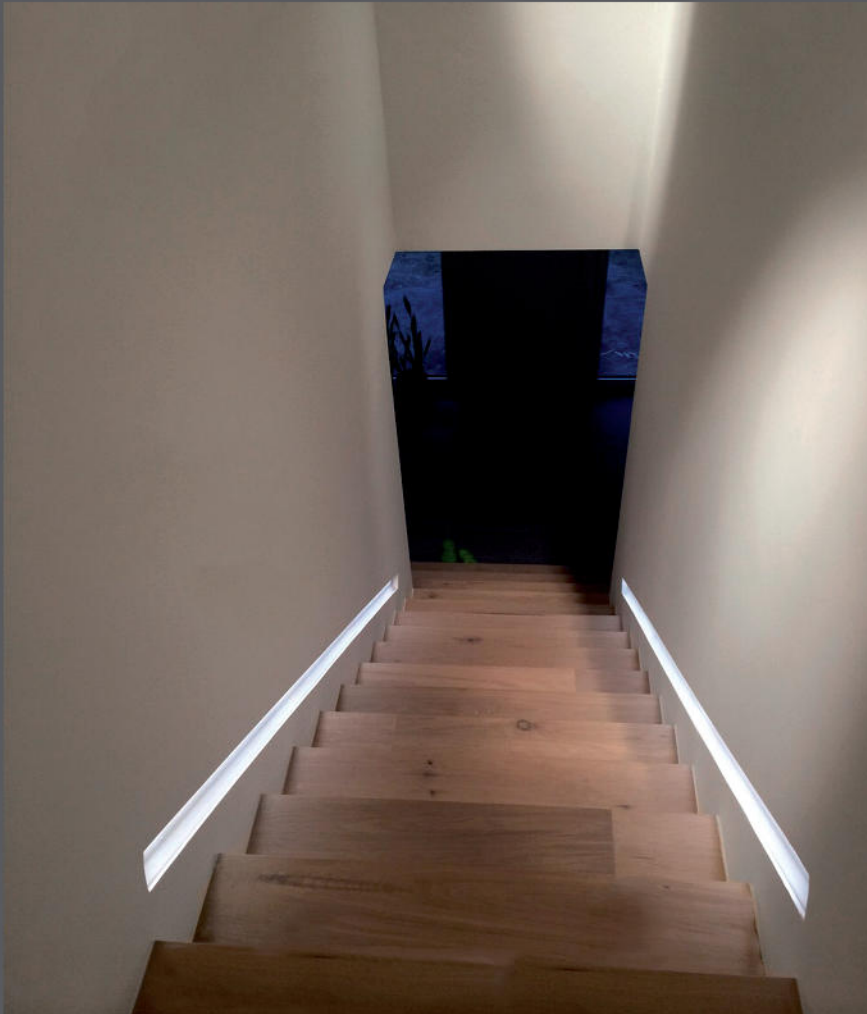


Art. No.	Description
	Zinc sheet profiles STA 1203 NA/t = 0.63
PE10.0060	AWP 45° / 12.5 / 2.0 / approx. 700 g / incl. primer

## R10-F plaster profile

LED plaster profile with reflector wing for installation in the surface

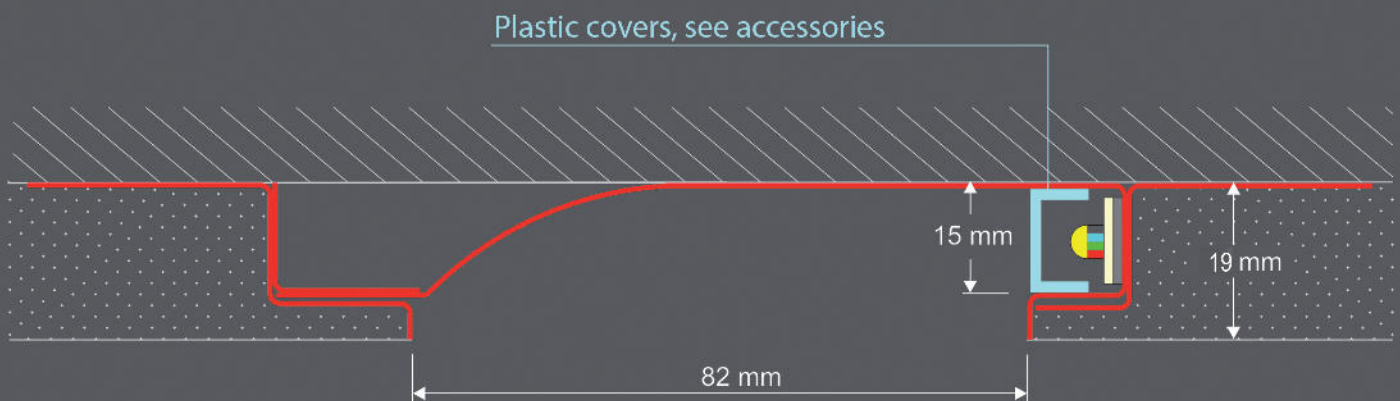
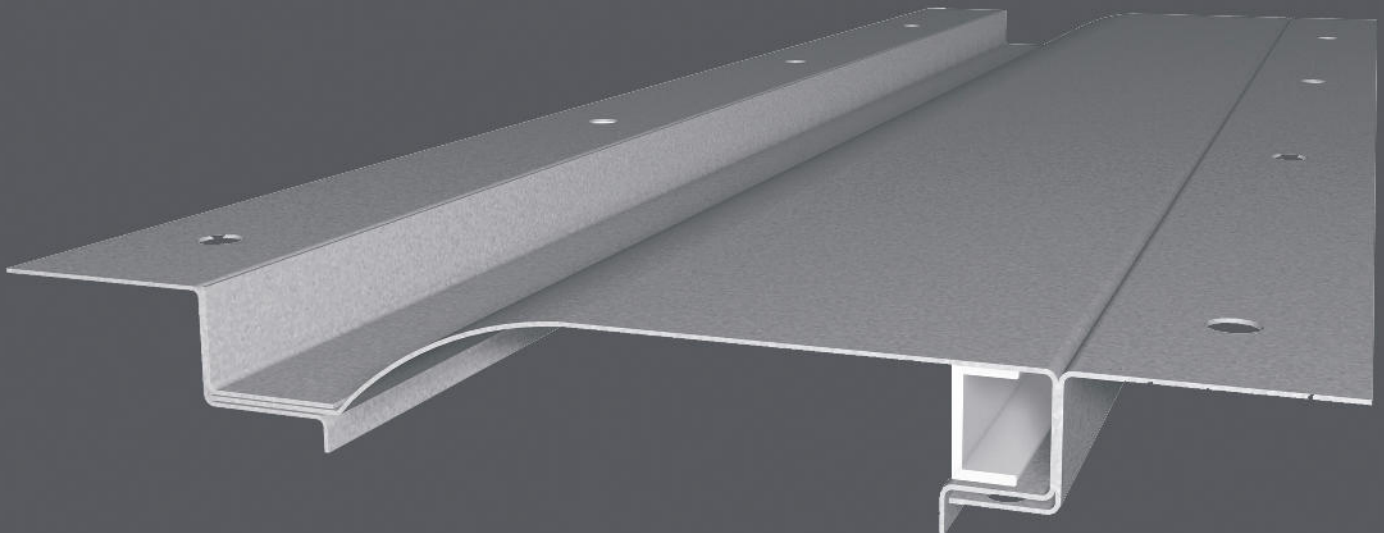
The profile for light strips in the surface



### Highlights:

- Mounting to brickwork by way of adhesive or anchor fitting
- With peel bar for flush plastering, minimum plaster thickness 19mm
- Concealed installation of LEDs is possible by inserting diffuser/cover profiles (see accessories)
- The curve in the profile gives the indirect lighting a calm and flowing touch
- Easy removal of strips due to magnetic tape
- Various lighting possibilities by inserting the strips in different ways

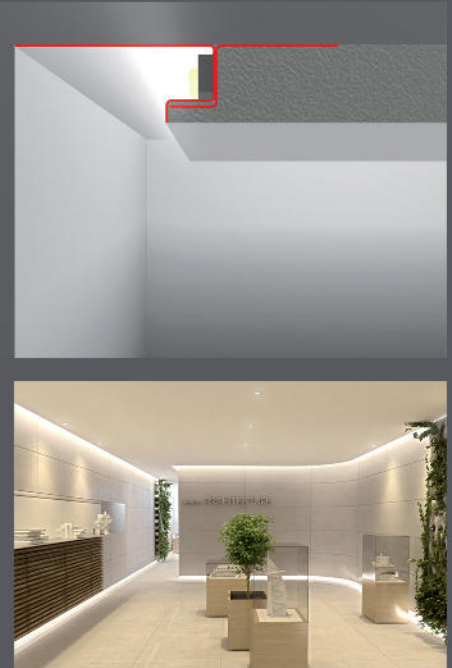
# R10-F Plaster profile



Art. No.	Description
	Zinc sheet profiles STA 1203 NA/t = 0.63
PE11.1110	R10-F plaster / 12.5 / 2.0 / approx. 1250 g / incl. primer and fleece lining

## SNL plaster profile

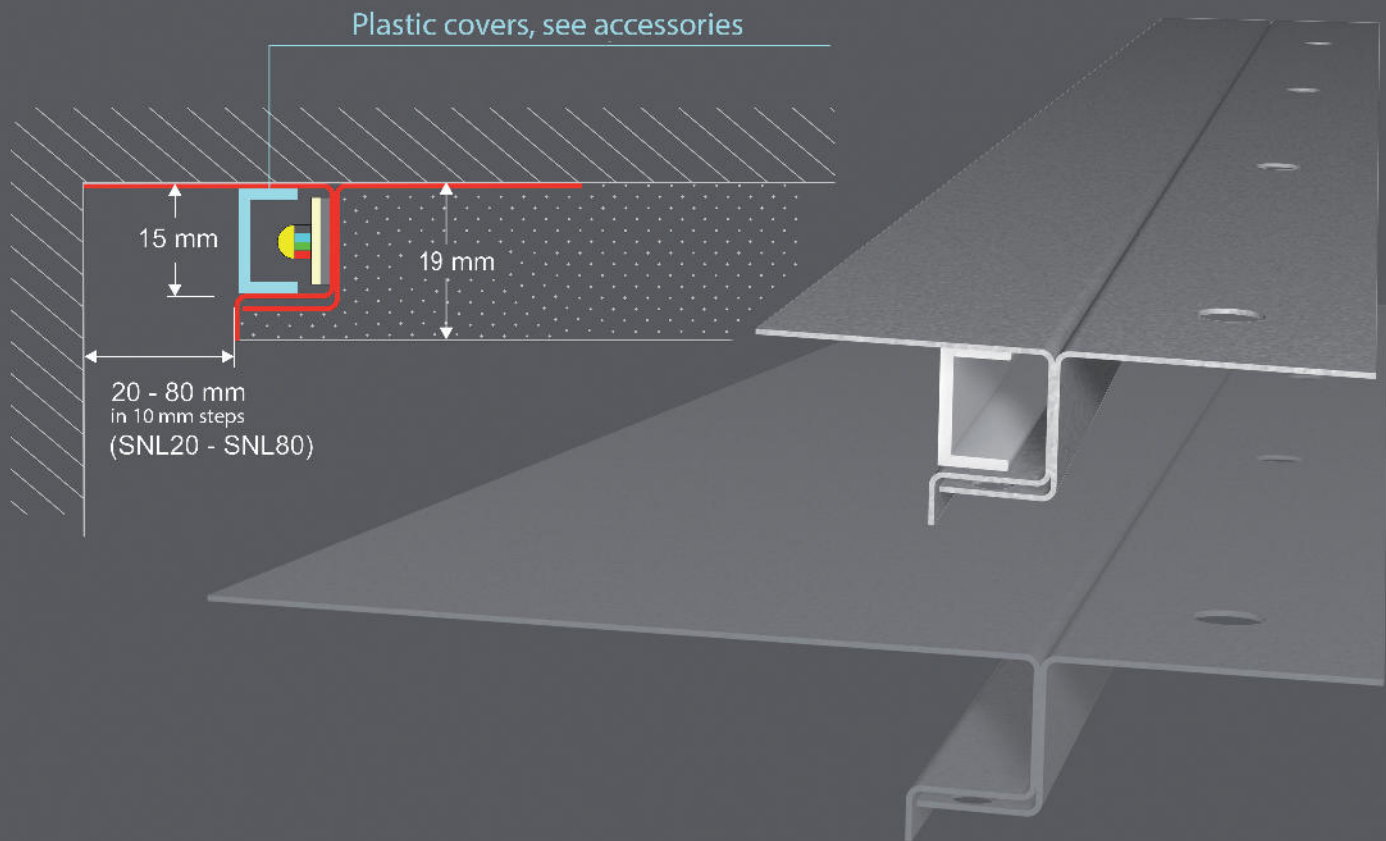
LED plaster profile with wing for direct connection to building elements



### Highlights:

- Universal connection profile for walls, ceilings and floors
- Connecting/visible wing with visible width of 20 to 80 mm
- Mounting to brickwork by way of adhesive or anchor fitting
- With peeling bar for flush plastering, minimum plaster thickness 19mm
- Further design options by positioning 2 profiles opposite one another
- Concealed installation of LEDs is possible by inserting diffuser/cover profiles (see accessories)
- Easy removal of strips due to magnetic tape
- Various lighting possibilities by inserting the strips in different ways

# SNL Plaster profile

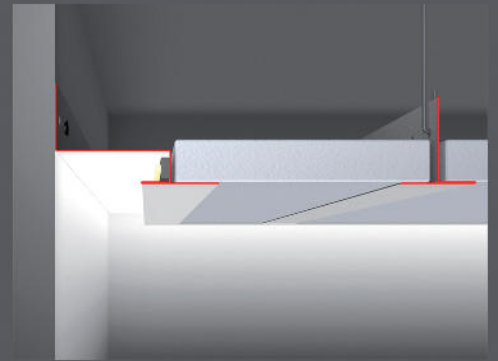
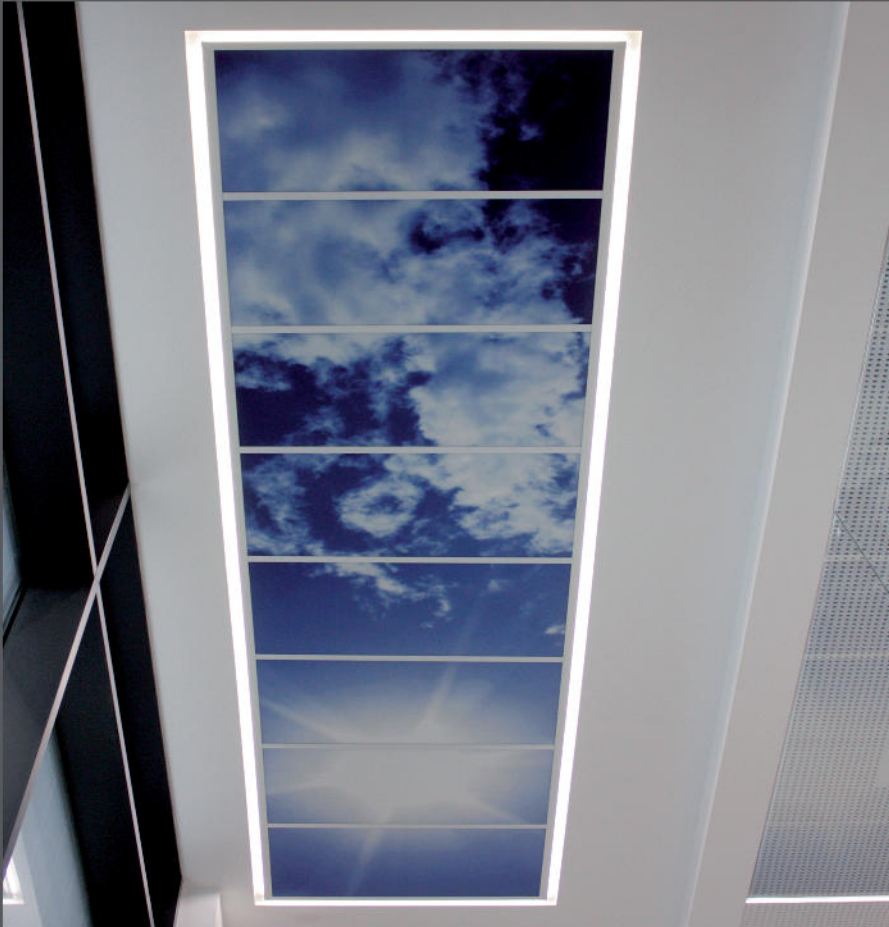


Art. No.	Description
	Zinc sheet profiles STA 1203 NA/t = 0.63
PE11.1020	SNL 20 plaster profile / 2.0 / approx. 1000 g / incl. primer
PE11.1030	SNL 30 plaster profile / 2.0 / approx. 1200 g / incl. primer
PE10.1040	SNL 40 plaster profile / 2.0 / approx. 1300 g / incl. primer
PE10.1050	SNL 50 Plaster profile / 2.0 / approx. 1380 g / incl. primer and fleece lining
PE 10.1060	SNL 60 Plaster profile / 2.0 / approx. 1480 g / incl. primer and fleece lining
PE 10.1070	SNL 70 Plaster profile / 2.0 / approx. 1580 g / incl. primer and fleece lining
PE10.1080	SNL 80 Plaster profile / 2.0 / approx. 1665 g / incl. primer and fleece lining

## WRD-40 / TRD-35

WRD-Wall angle grid ceiling - support and edging profile for grid, coffered and plaster ceilings

TRD-girder profile for grid ceiling - support plating for grid, coffered and plaster ceilings

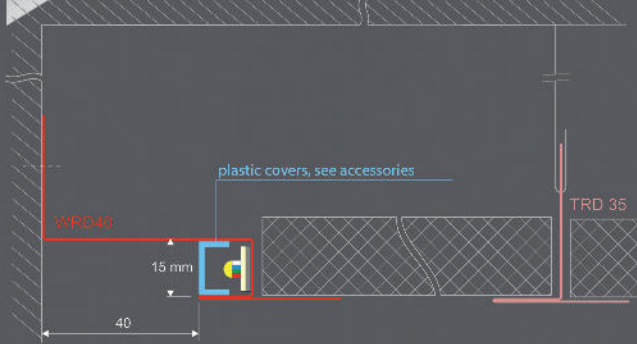
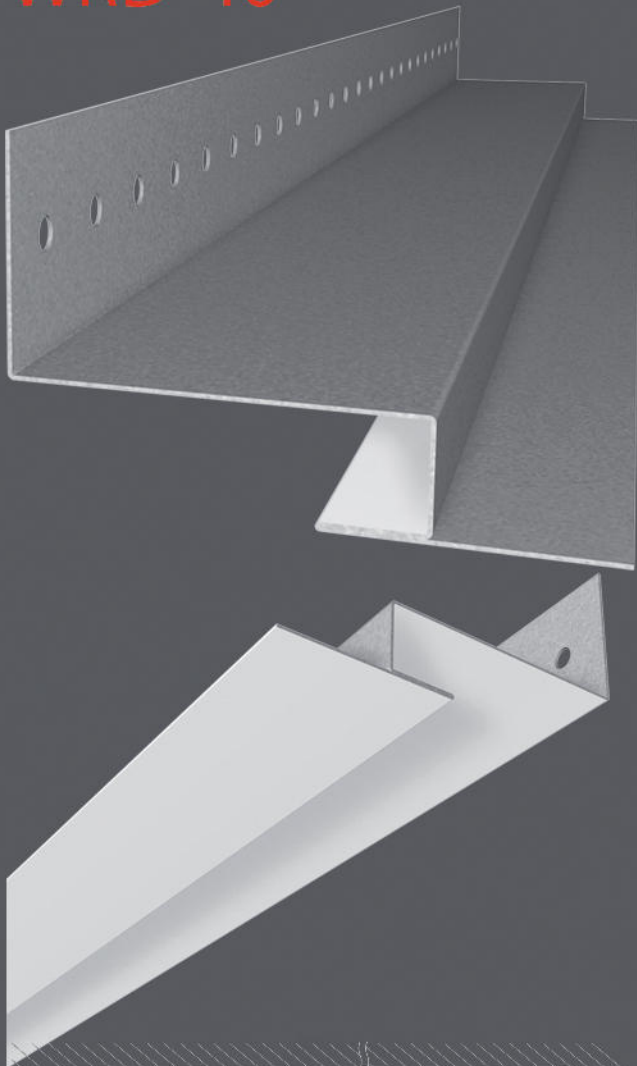


### Highlights:

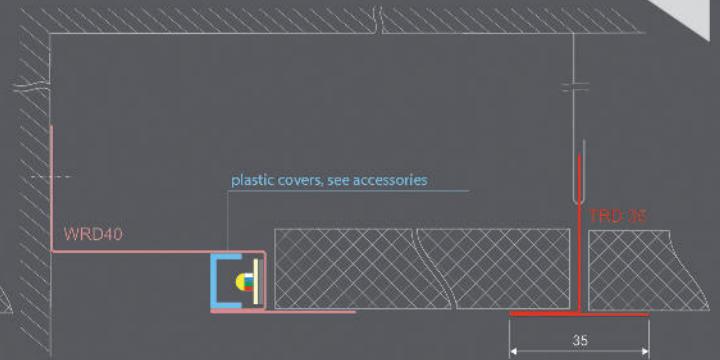
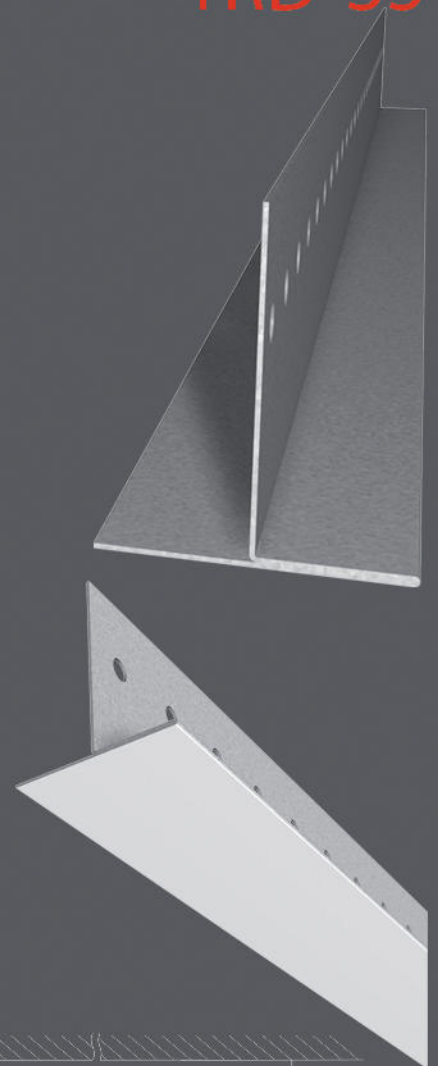
- Wall angle 40mm visible wing
- For LED strips up to 15mm wide
- Quick and easy installation
- New appearance
- Mitre cut cover (accessories)
- Concealed installation of LEDs is possible by inserting diffuser/cover profiles (see accessories)
- Easy removal of strips due to magnetic tape



## WRD-40



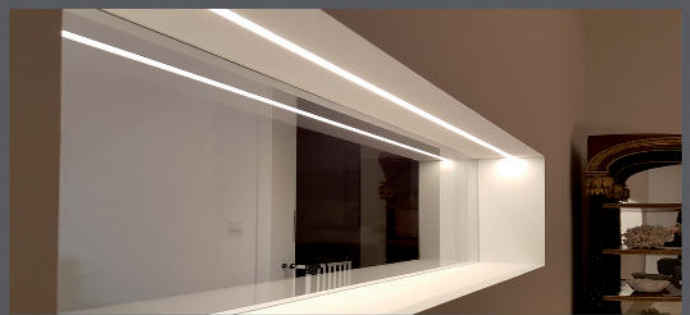
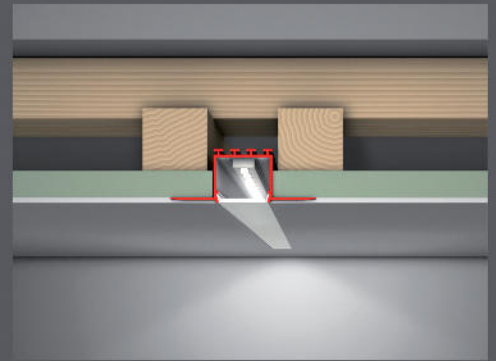
## TRD-35



Art. No.	Description
	Zinc sheet profiles STA 1203 NA/t = 0.63
PE14.0140	WRD 40 / 2.0 / approx. 700 g / powder coated
PE14.0141	TRD 35 / 2.0 / approx. 700 g / powder coated

## L 24

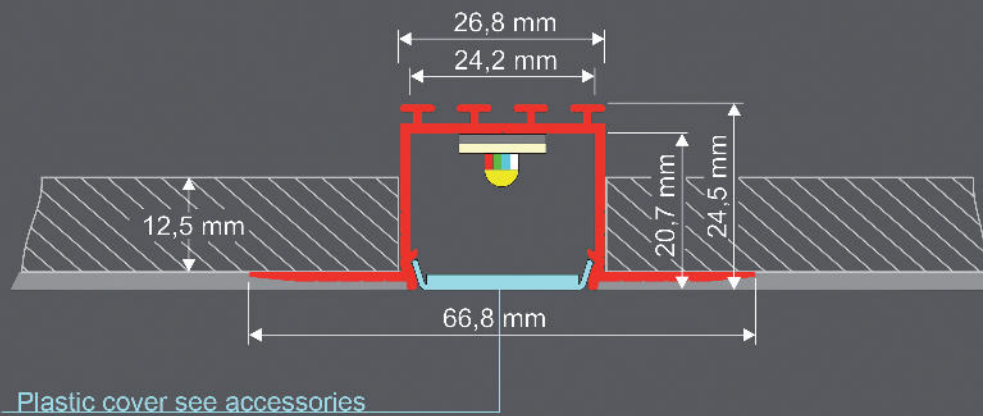
Linear aluminium profile for concealed installation in wall and ceiling surfaces



### Highlights:

- For light slots in ceilings and walls, can be filled to create a smooth finish with adjacent surfaces
- A maximum of 2 LED strips of 8-10mm can be fitted
- The possibility of installing 2 LED strips in the profile means that it can be used as a primary, energy-efficient source of light
- If the distance between the LED chips <math>< 15\text{mm}</math> a homogeneous illuminated line is formed
- The satin-finished cover (accessories) is weather and UV resistant
- The end caps (accessories) finish off the profile

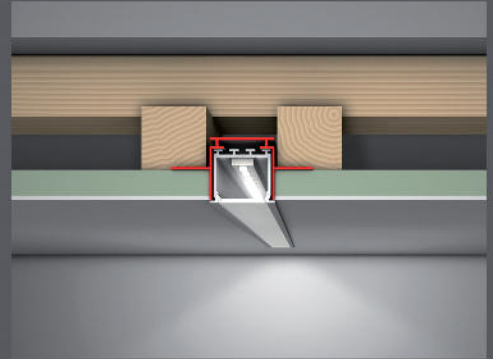
L 24



Art. No.	Description
	Aluminium profile, not anodized
	Plastic end caps
PE85.0003	L 24 Alu-Profil / 2.0 m / approx. 890 g
	PE85.0005 Grey

## M 28

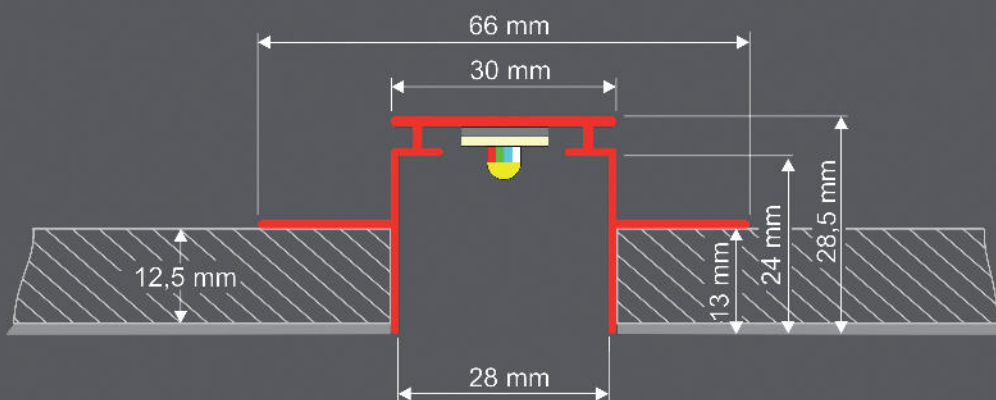
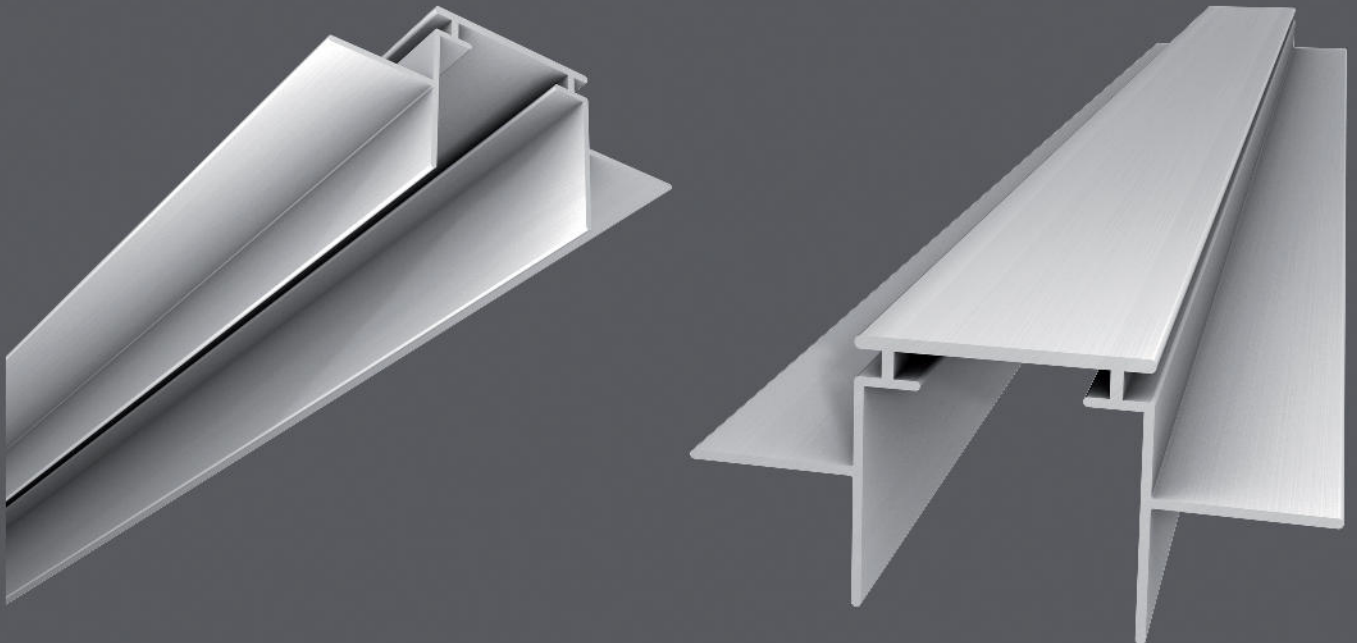
M28 linear aluminium profile for the construction of narrow light slots in plasterboard walls and ceilings



### Highlights:

- Easy installation
- Installed simultaneously with the plasterboard construction
- Can be complemented by the M24 aluminium profile
- Wooden ceilings or wall panelling can be used instead of plasterboard

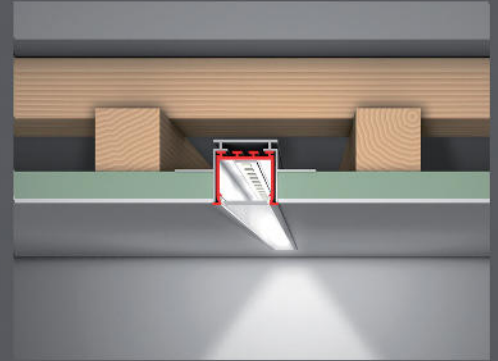
M 28



Art. No.	Description
	Aluminium profile, not anodized
PE85.0015	M 28 Alu-Profil / 2,0 m / approx. 890 g

## M 24

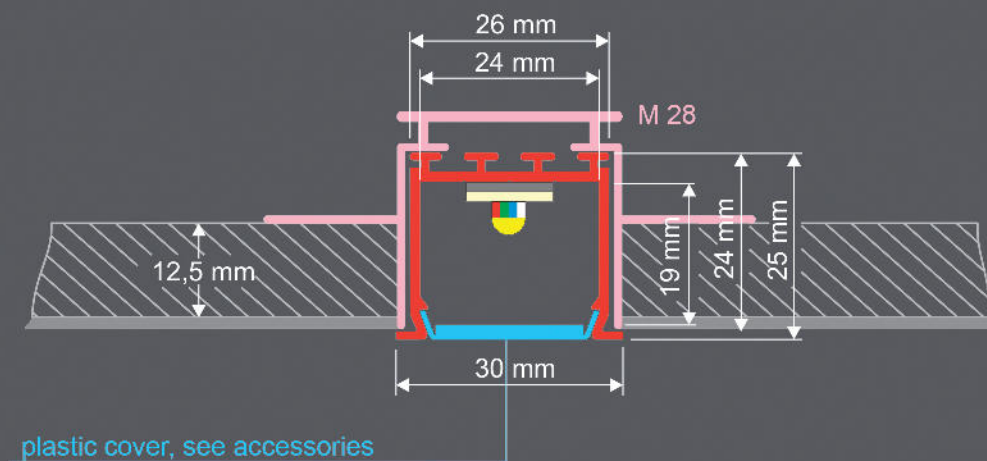
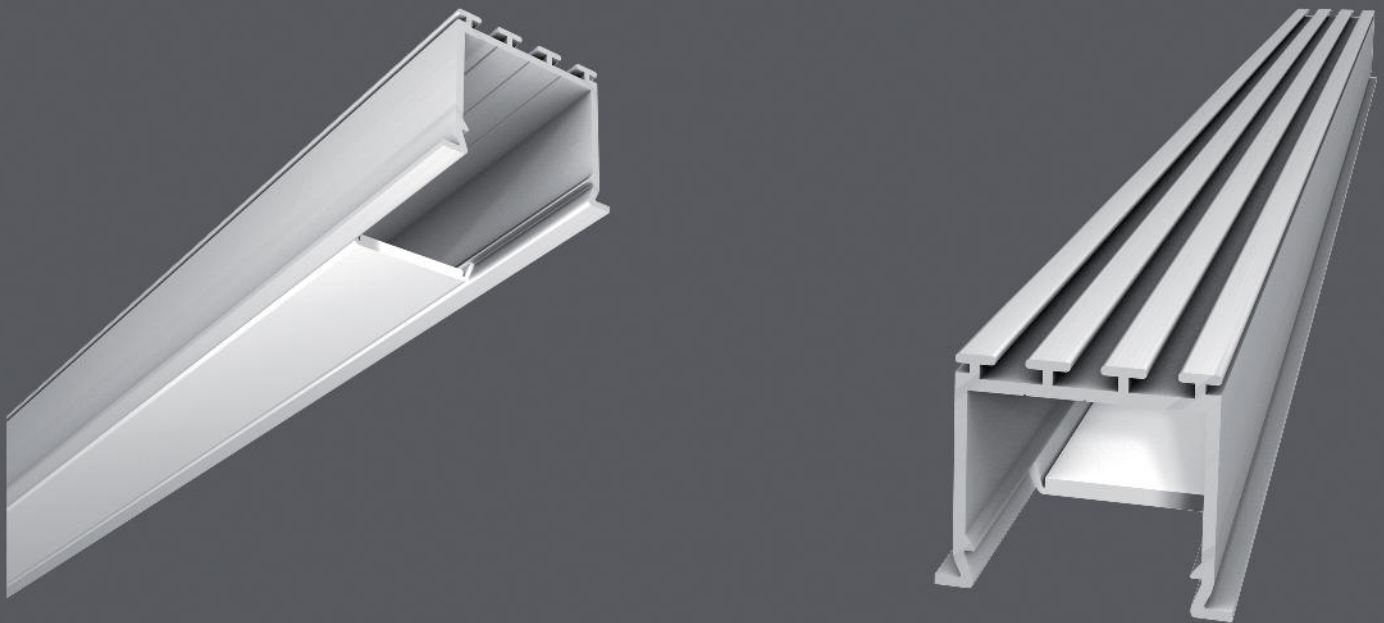
M24 linear aluminium profile for the construction of narrow light slots in plasterboard walls and ceilings in combination with the M28 profile



### Highlights:

- One or two LED strips with a maximum width of 10mm can be inserted
- The LED strips can be fixed to the aluminium profile M28 using magnetic tape PE10.2105 and Ferro foil PE10.2120
- Flush mount lighting in wall or ceiling

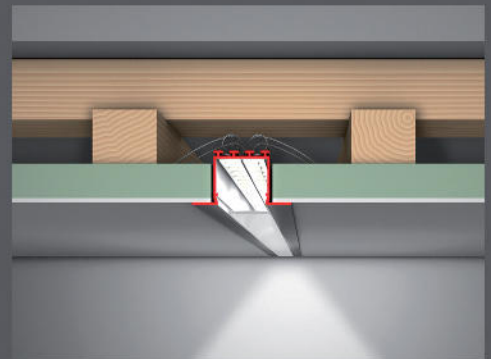
M 24



Art. No.	Description
	Aluminium profile, not anodized
	Plastic end caps
PE85.0016	M 24 Alu-Profil / 2,0 m / approx. 890 g
	PE85.0017 Grey

## S 24

S24 linear aluminium profile for the construction of narrow light slots in plasterboard walls and ceilings

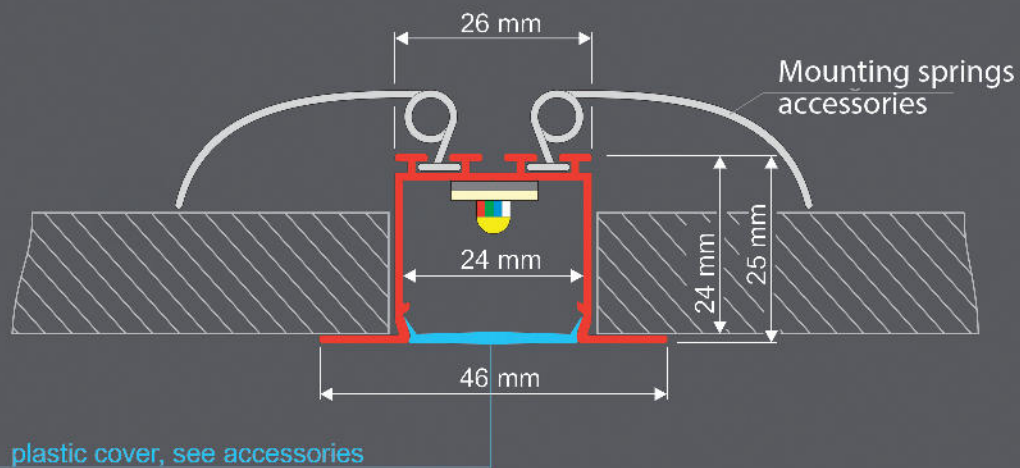
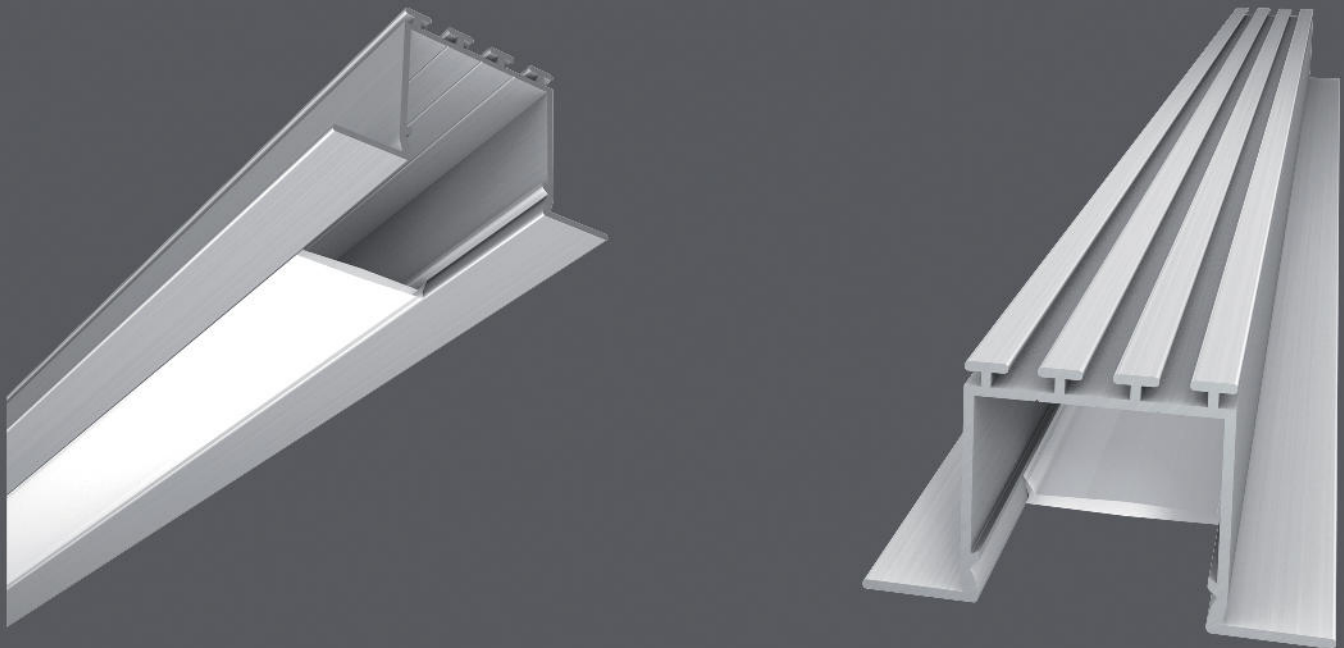


### Highlights:

- Also suitable for wooden ceilings and wall panels
- One or two LED strips with a maximum width of 10mm can be inserted
- This creates a luminaire which protrudes only minimally out of the wall or ceiling



S 24



Art. No.	Description
	Aluminium profile, not anodized
	Plastic end caps
PE85.0002	S 24 Alu-Profil / 2,0 m / approx. 890 g
	PE85.0018 Grey

## AU-Flat

Flat U-profile for 10 to 11.3 mm LED strips

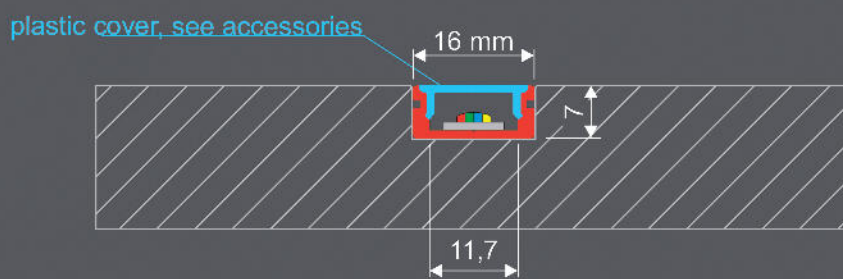
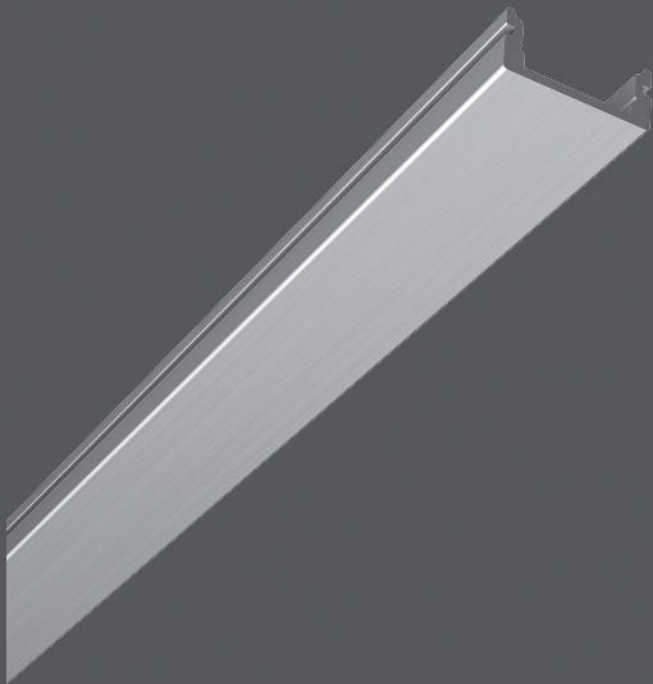
Especially suitable for furniture/kitchen construction



### Highlights:

- Small dimensions
- High-quality modern and timeless design
- Homogeneous light effect, non-dazzle light thanks to suitable covers (accessories)
- Flush mounting possible in wooden or laminate surfaces
- Available in: anodized aluminium, matt-black or matt-white

# AU-flat



Art. No.	Description
	Aluminium profile, anodized
	Plastic end caps
PE86.0138	AU-flat Alu-Profile/ 2.0 m / alum. anodized / approx. 500 g
	PE86.0141 Grey
PE86.0139	AU-flat Alu-Profile/ 2.0 m / matt-black / approx. 500 g
	PE86.0142 Black
PE86.0140	AU-flat Alu-Profile/ 2.0 m / matt-white / approx. 500 g
	PE86.0143 White

## AU-High

High U-profile for 10 to 11.4 mm LED strips

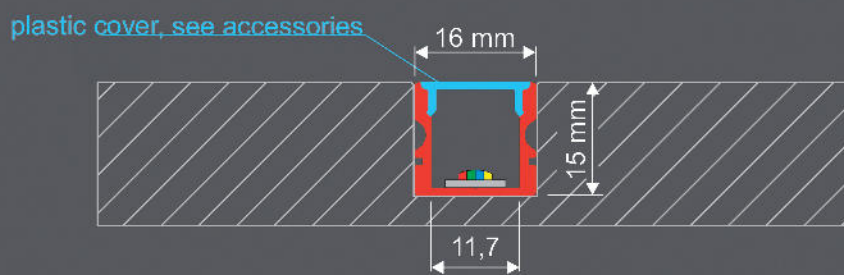
Especially suitable for furniture/kitchen construction



### Highlights:

- Small dimensions
- High-quality modern and timeless design
- Homogeneous light effect, non-dazzle light thanks to suitable covers (accessories)
- Flush mounting possible in wooden or laminate surfaces
- Available in: anodized aluminium, matt-black or matt-white

# AU-High



Art. No.	Description
	Aluminium profile, anodized
	Plastic end caps
PE86.0144	AU-high Alu-Profil/ 2.0 m / alum. anodized / approx. 500 g
PE86.0147	Grey
PE86.0145	AU-high Alu-Profil/ 2.0 m / matt-black / approx. 500 g
PE86.0148	Black
PE86.0146	AU-high Alu-Profil/ 2.0 m / matt-white / approx. 500 g
PE86.0149	White

## ET-Flat

Flat U-profile with collar for 10 to 11.3 mm LED strips

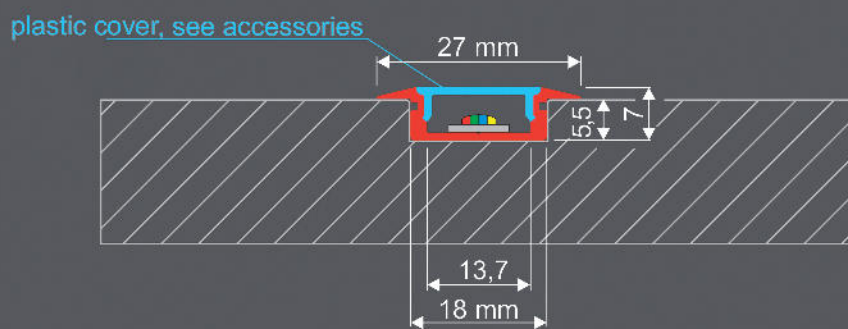
Especially suitable for furniture/kitchen construction



### Highlights:

- Small dimensions
- High-quality modern and timeless design
- Homogeneous light effect, non-dazzle light thanks to suitable covers (accessories)
- Flush mounting possible in wooden or laminate surfaces
- Available in: anodized aluminium, matt-black or matt-white

# ET-flat



Art. No.	Description
	Aluminium profile, anodized
	Plastic end caps
PE86.0150	ET-flat Alu-Profile/ 2.0 m / alum. anodized / approx. 500 g
	PE86.0153 Grey
PE86.0151	ET-flat Alu-Profile/ 2.0 m / matt-black / approx. 500 g
	PE86.0154 Black
PE86.0152	ET-flat Alu-Profile/ 2.0 m / matt-white / approx. 500 g
	PE86.0155 White

## ET-High

High U-profile with collar for 10 to 11.3 mm LED strips

Especially suitable for furniture/kitchen construction

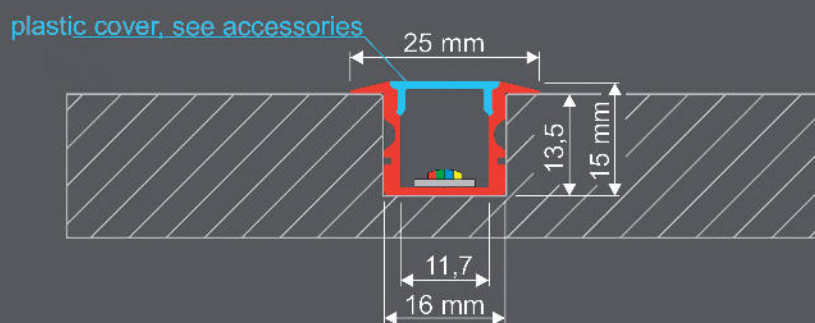
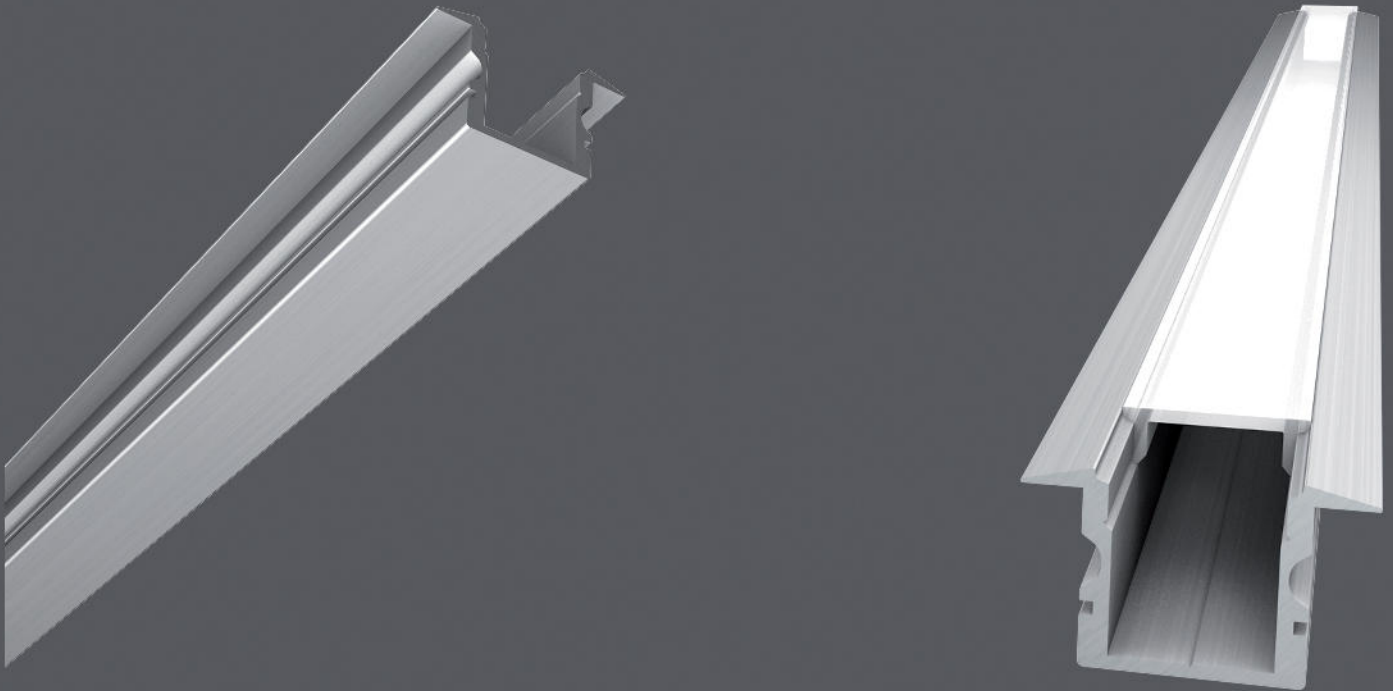


### Highlights:

- Small dimensions
- High-quality modern and timeless design
- Homogeneous light effect, non-dazzle light thanks to suitable covers (accessories)
- Flush mounting possible in wooden or laminate surfaces
- Available in: anodized aluminium, matt-black or matt-white



# ET-High

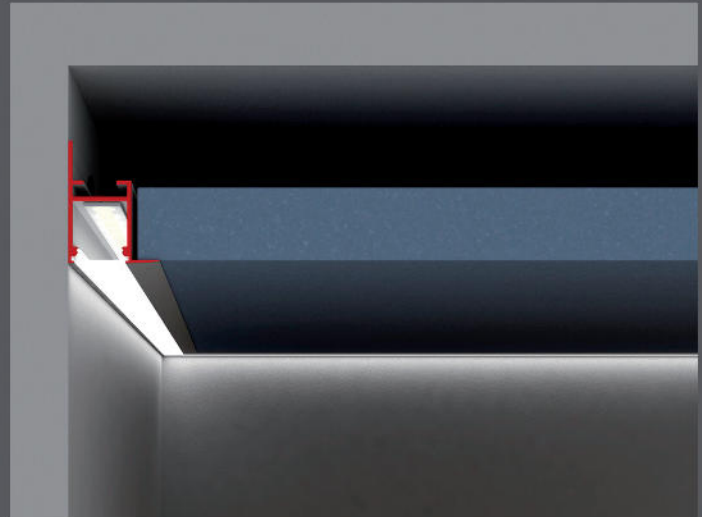


Art. No.	Description
	Aluminium profile, anodized
	Plastic end caps
PE86.0156	ET-High Alu-Profil/ 2.0 m / alum. anodized / approx. 570 g
PE86.0159	Grey
PE86.0157	ET-High Alu-Profil/ 2.0 m / matt-black / approx. 570 g
PE86.0160	Black
PE86.0158	ET-High Alu-Profil/ 2.0 m / matt-white / approx. 570 g
PE86.0161	White

## FR-14

Gap profile

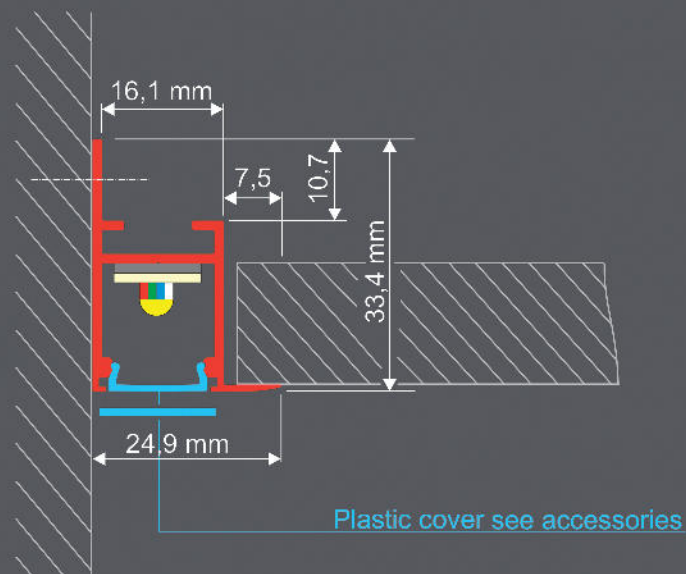
Especially suitable for furniture/kitchen construction



Highlights:

- Small dimensions
- High-quality modern and timeless design
- Homogeneous light effect, non-dazzle light thanks to suitable covers (accessories)
- Ideal for wooden ceilings, wall/ceiling panelling and the finishing touch for furniture




# FR-14




Art. No.	Description
	Aluminium profile, anodized
	satin-finished cover
PE87.0001	FR-14 Alu-Profil/ 2.0 m / alum. anodized / approx. 600 g
	PE87.0002

## Accessories




**Cover** suitable for SNL, R10-R, R10-F, SNL plaster and R10-F plaster profiles

Art. No.	Description	
PE10.1000	plastic diffusor cover made of polycarbonate, clear, 12.5 mm, 2.0 m	
PE10.1050	plastic diffusor cover made of polycarbonate, satin-finished white, 12.5 mm, 2.0 m	
PE10.1010	plastic diffusor cover made of polycarbonate, opal white, 12.5mm, 2.0m	

**Cover** suitable for L24, M24 and S24

Art. No.	Description	
PE85.0004	plastic covering made of polycarbonate, satin-finished, 2.0 m	

**Covering** suitable for AU Flat-High and ET Flat-High



Art. No.	Description	
PE86.0162	plastic covering made of polycarbonate, clear, 2.0 m	
PE86.0163	plastic covering made of polycarbonate, satin-finished, 2.0 m	
PE86.0164	plastic covering made of polycarbonate, opal white, 2.0m	

## Accessories


### Mitre cut cover

Art. No	Description		
PE14.0200	GAK 90° set mitre cut cover varnished white 60 mm x 60 mm x 33 mm x 33 mm 100 mm x 100 mm x 39 mm x 39 mm		
PE14.0201	SAK set joint cover varnished white 80 mm x 33 mm 80 mm x 52 mm		


### Magnetic tape and ferro-foil

Art.No.	Description	
PE10.2105	Isotropic magnetic tape, 10 mm wide x 1 mm thick, self-adhesive, 5 m roll	
PE10.2120	Ferro-foil, magnetic adhesive tape for the fast installation of LED strips with magnetic tape in aluminium and plastic profiles, 10mm wide, 0.55mm thick, 1.00m long	

### Fleece lining

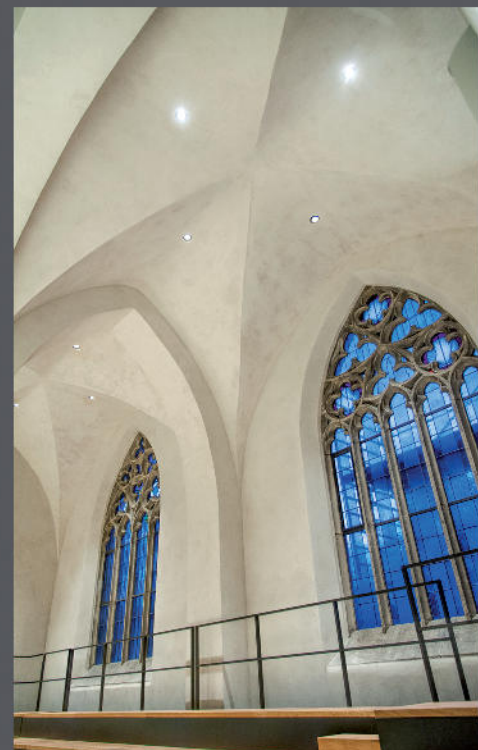
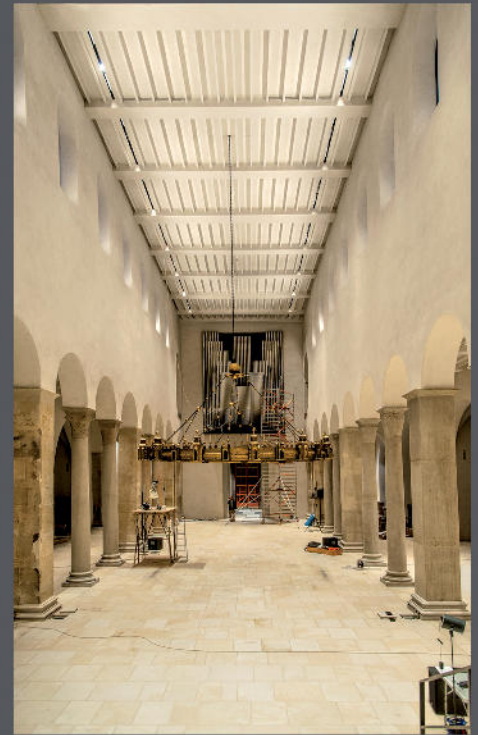
Art.No.	Description	
PE10.2000	Fleece lining KOB Armiera, 60 mm wide, 20.5 m	
PE10.2001	Fleece lining KOB Armiera, 90 mm wide, 20.5 m	

### Mounting adhesive

Art.No.	Description	
PE10.2200	Profile adhesive All In One Power, cartridge 290ml	

# Special profiles

Hildesheim Cathedral



# Special profiles

Huf House



sophisticated

environmentally friendly

universal

# Lightart

This is a new interpretation of indirect lighting with slim and sophisticated profiles allowing to establish a modern formal vocabulary. Perfectly suiting installations of modern interiors.

The Drywalling innovation in Cove Lighting for "straight forward" integration of light strips in walls, ceilings, and skirtings.

All LED Profiles are prepared for installation of LED Sticks or LED Strips.



## LED Illumination

- reduced power consumption (ca. 50% as compared to fluorescent lights)
- long lifetime
- reduced heat dissipation
- maintenance free
- non-attractive for insects
- adjustable light color
- reduced installation depth
- shock proof
- does not contain mercury or other harmful gases

LED Profilelement GmbH  
Industriestr. 4  
92360 Mühlhausen/Germany  
Tel: + 49 /(0)9185 903634  
Fax: + 49 /(0)9185 903635  
info@ledprofilelement.de

[www.ledprofilelement.de](http://www.ledprofilelement.de)

LED

PROFILELEMENT

GmbH